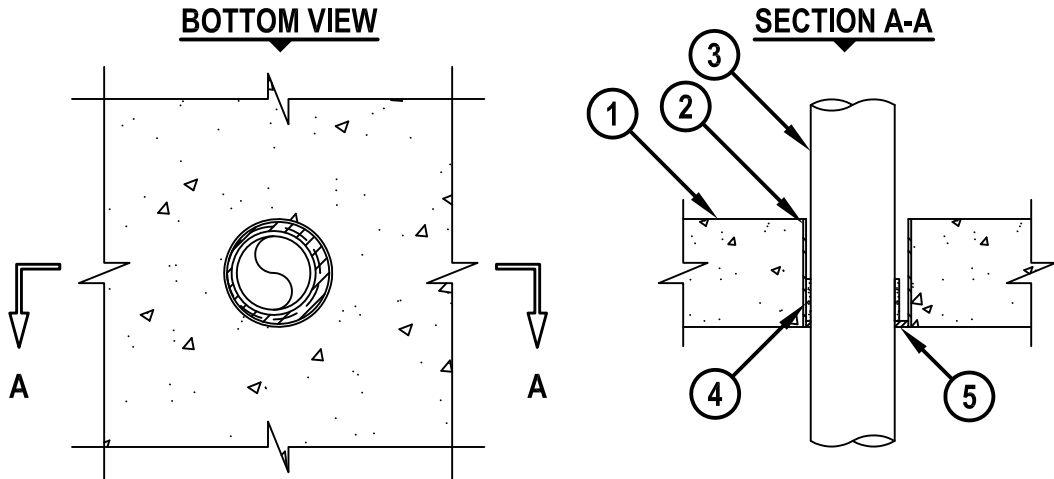


PLASTIC PIPE THROUGH CONCRETE FLOOR/WALL OR BLOCK WALL ASSEMBLY

F-RATING = 2-HR.
T-RATING = 0-HR.

CAJ2569c.010515



1. CONCRETE FLOOR OR WALL ASSEMBLY (2-HR. FIRE-RATING) :
 - A. LIGHTWEIGHT OR NORMAL WEIGHT CONCRETE FLOOR OR WALL (MINIMUM 4-1/2" THICK).
 - B. ANY UL CLASSIFIED CONCRETE BLOCK WALL.
2. [OPTIONAL] MAXIMUM 4" NOMINAL DIAMETER STEEL PIPE SLEEVE (SCHEDULE 10 OR HEAVIER) MAY EXTEND MAXIMUM 3" ABOVE FLOOR, OR BOTH SURFACES OF WALL (FOR MAXIMUM 3" NOMINAL DIAMETER PIPES ONLY).
3. PENETRATING ITEM TO BE ONE OF THE FOLLOWING :
 - A. MAXIMUM 4" NOMINAL DIAMETER PVC PLASTIC PIPE (CELLULAR OR SOLID CORE).
 - B. MAXIMUM 4" NOMINAL DIAMETER CPVC PLASTIC PIPE (CLOSED PIPING SYSTEM ONLY).
 - C. MAXIMUM 4" NOMINAL DIAMETER ABS PLASTIC PIPE (CELLULAR OR SOLID CORE).
4. HILTI CP 648S WRAP STRIP WRAPPED CONTINUOUSLY AROUND CIRCUMFERENCE OF PIPE, AND HELD IN PLACE WITH INTEGRATED FASTENING TAPE. WRAP STRIP TO BE RECESSED 1/4" FROM BOTTOM SIDE OF FLOOR OR BOTH SURFACES OF WALL (SEE TABLE BELOW).
5. MINIMUM 1/4" DEPTH HILTI FS-ONE MAX OR FS-ONE INTUMESCENT FIRESTOP SEALANT FLUSH WITH BOTTOM SURFACE OF FLOOR OR BOTH SURFACES OF WALL.

NOMINAL PIPE DIAMETER	PRODUCT DESCRIPTION	MAXIMUM DIAMETER OF OPENING	ANNULAR SPACE	
			MINIMUM	MAXIMUM
1-1/2"	CP 648S - 1.5" US	3"	3/16"	9/16"
2"	CP 648S - 2" US	3-1/2"	3/16"	9/16"
3"	CP 648S - 3" US	4"	3/16"	9/16"
4"	CP 648S - 4" US	6"	3/8"	1-1/8"

NOTES : 1. HILTI CP 648S WRAP STRIPS AND FS-ONE MAX OR FS-ONE INTUMESCENT FIRESTOP SEALANT ARE REQUIRED ON BOTH SIDES OF A WALL ASSEMBLY.
2. CLOSED OR VENTED PIPING SYSTEM (PVC, ABS = SCHEDULE 40; CPVC = SDR 13.5).



HILTI, Inc.
Tulsa, Oklahoma USA (800) 879-8000

Sheet	1 of 1
Scale	1/8" = 1"
Date	Jan. 05, 2015

Drawing No.
**CAJ
2569c**