

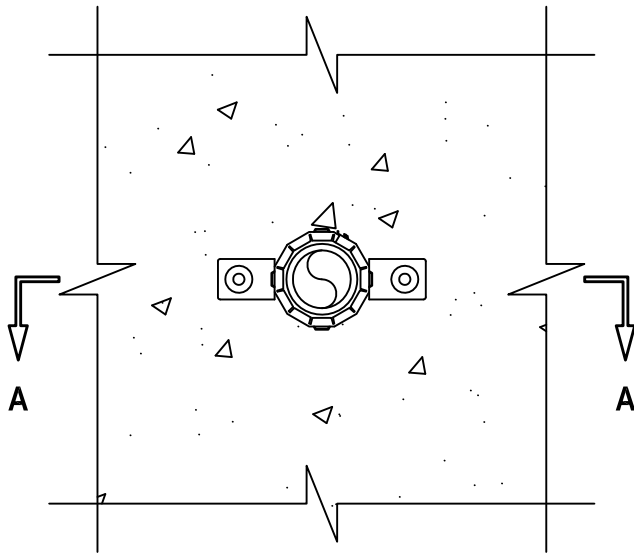
PLASTIC PIPE THROUGH CONCRTE FLOOR/WALL OR BLOCK WALL ASSEMBLY

F-RATING = 2-HR.

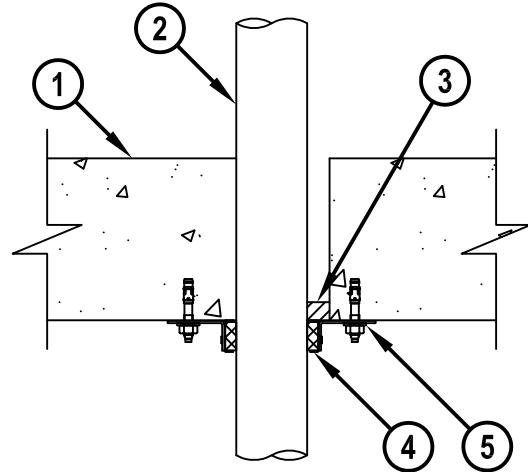
T-RATING = 2-HR.

CAJ2600c.010515

BOTTOM VIEW



SECTION A-A



1. CONCRETE FLOOR OR WALL ASSEMBLY (2-HR. FIRE-RATING) :
 - A. LIGHTWEIGHT OR NORMAL WEIGHT CONCRETE FLOOR (MINIMUM 4-1/2" THICK).
 - B. LIGHTWEIGHT OR NORMAL WEIGHT CONCRETE WALL (MINIMUM 5" THICK).
 - C. ANY UL CLASSIFIED PRECAST (HOLLOW-CORE) CONCRETE FLOOR (MINIMUM 6" THICK).
 - D. ANY UL CLASSIFIED CONCRETE BLOCK WALL.
2. PENETRATING ITEM TO BE ONE OF THE FOLLOWING :
 - A. MAXIMUM 2" [50mm] NOMINAL DIAMETER FUSIOTHERM® (SDR 11) PP PLASTIC PIPE (MANUFACTURED BY AQUATHERM, INC.) (CLOSED OR VENTED PIPING SYSTEM).
 - B. MAXIMUM 4" [63mm] NOMINAL DIAMETER POLYSTAR™ CT-WHITE (SDR 11, SDR 9, OR SDR 7.4) PP PLASTIC PIPE (MANUFACTURED BY ORION) (CLOSED PIPING SYSTEM).
3. MINIMUM 1/2" DEPTH HILTI FS-ONE MAX OR FS-ONE INTUMESCENT FIRESTOP SEALANT.
4. HILTI CP 643N FIRESTOP COLLAR WITH FASTENING HOOKS.
5. EACH FASTENING HOOK SECURED TO BOTTOM OF FLOOR WITH 1/4" x 1-1/4" LONG STEEL EXPANSION BOLTS, 1/4" x 1-1/4" HILTI KWIK-CON II+ CONCRETE SCREW ANCHOR, OR 1/4" x 1-3/4" HILTI KWIK-BOLT 3 STEEL EXPANSION ANCHOR.

NOTES : 1. MAXIMUM DIAMETER OF OPENING = 2-3/8".
 2. ANNULAR SPACE = MINIMUM 0", MAXIMUM 5/8".
 3. HILTI CP 643N FIRESTOP COLLAR AND HILTI FS-ONE MAX OR FS-ONE INTUMESCENT FIRESTOP SEALANT ARE REQUIRED ON BOTH SIDES OF A WALL.



HILTI, Inc.
 Tulsa, Oklahoma USA (800) 879-8000

Sheet	1 of 1
Scale	3/16" = 1"
Date	Jan. 05, 2015

Drawing No.

**CAJ
2600c**