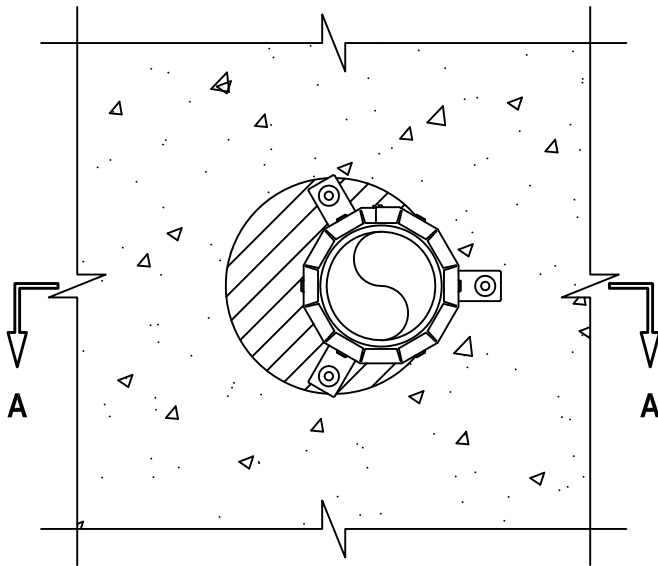


**PLASTIC PIPE THROUGH CONCRETE FLOOR/WALL OR BLOCK WALL ASSEMBLY**

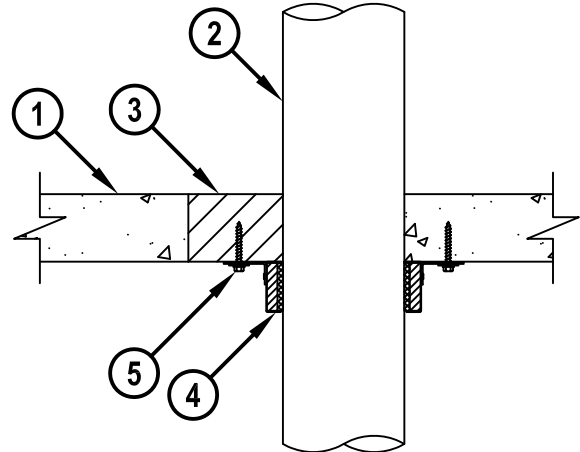
F-RATING = 2-HR.  
T-RATING = 1-1/2-HR.

CAJ2630a.092109

**BOTTOM VIEW**



**SECTION A-A**



1. CONCRETE FLOOR OR WALL ASSEMBLY (2-HR. FIRE-RATING) :
  - A. LIGHTWEIGHT OR NORMAL WEIGHT CONCRETE FLOOR OR WALL (MINIMUM 2-1/2" THICK).
  - B. ANY UL CLASSIFIED CONCRETE BLOCK WALL.
2. PENETRATING ITEM TO BE ONE OF THE FOLLOWING :
  - A. MAXIMUM 4" NOMINAL DIAMETER PVC PLASTIC PIPE (CELLULAR OR SOLID CORE).
  - B. MAXIMUM 4" NOMINAL DIAMETER CPVC PLASTIC PIPE (CLOSED PIPING SYSTEM ONLY).
  - C. MAXIMUM 4" NOMINAL DIAMETER ABS PLASTIC PIPE (CELLULAR OR SOLID CORE).
  - D. MAXIMUM 4" NOMINAL DIAMETER FRPP PLASTIC PIPE.
3. MINIMUM 2-1/2" DEPTH HILTI CP 637 FIRESTOP MORTAR FLUSH WITH BOTTOM OF FLOOR, OR BOTH SURFACES OF WALL.
4. HILTI CP 643N FIRESTOP COLLAR WITH FASTENING HOOKS.
5. FASTENING HOOKS TO BE SECURED TO HILTI CP 637 FIRESTOP MORTAR WITH MINIMUM 1/4" DIAMETER BY MINIMUM 1-1/4" LONG CONCRETE SCREWS OR HILTI 1/4" DIAMETER BY 1-1/4" LONG KWIK-CON II+ CONCRETE SCREW ANCHORS. FASTENING HOOKS TO BE SECURED TO CONCRETE FLOOR OR WALL WITH MINIMUM 1/4" DIAMETER BY MINIMUM 1-1/4" LONG STEEL EXPANSION BOLTS, MINIMUM 0.145" DIAMETER BY 1-1/4" LONG POWDER ACTUATED FASTENERS UTILIZING A 1-7/16" DIAMETER BY 1/16" THICK STEEL WASHER, HILTI 1/4" DIAMETER BY 1-1/4" LONG KWIK-CON II+ CONCRETE SCREW ANCHOR, OR HILTI 1/4" DIAMETER BY 1-3/4" LONG KWIK-BOLT 3 STEEL EXPANSION ANCHOR, OR HILTI X-DNI 27 P8 S15 POWDER ACTUATED FASTENER WITH INTEGRAL 9/16" DIAMETER WASHER.

**NOTES :** 1. MAXIMUM DIAMETER OF OPENING = 8".  
 2. ANNULAR SPACE = MINIMUM 0", MAXIMUM 3-1/2".  
 3. HILTI CP 643N FIRESTOP COLLARS ARE REQUIRED ON BOTH SIDES OF A WALL.  
 4. CLOSED OR VENTED PIPING SYSTEM (PVC, ABS, FRPP = SCHEDULE 40; CPVC = SDR 13.5).



HILTI, Inc.  
Tulsa, Oklahoma USA (800) 879-8000

Sheet	1 of 1
Scale	9/64" = 1"
Date	Sep. 21, 2009

Drawing No.  
**CAJ  
2630a**