

**PLASTIC PIPE THROUGH CONCRETE FLOOR/WALL OR BLOCK WALL ASSEMBLY**

F-RATING = 2-HR.

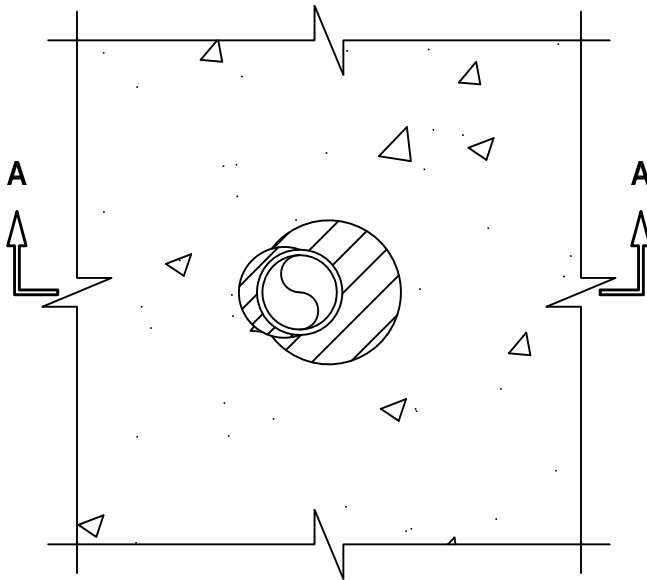
T-RATING = 1/2-HR.

L-RATING AT AMBIENT = LESS THAN 1 CFM / SQ FT

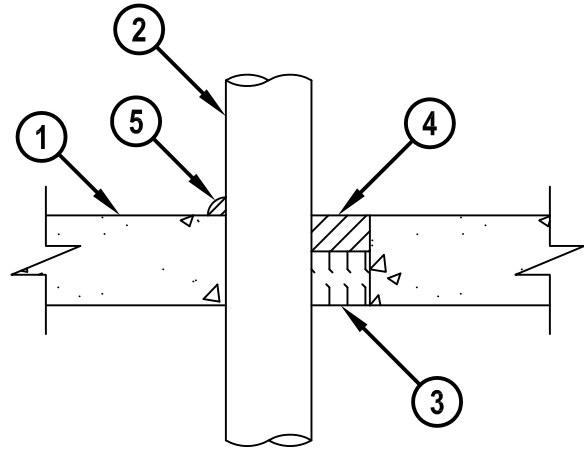
L-RATING AT 400°F = LESS THAN 1 CFM / SQ FT

CAJ2647b.010515

**TOP VIEW**



**SECTION A-A**



1. CONCRETE FLOOR OR WALL ASSEMBLY (2-HR. FIRE-RATING) :
  - A. LIGHTWEIGHT OR NORMAL WEIGHT CONCRETE FLOOR (MINIMUM 2-1/2" THICK).
  - B. STEEL FLOOR UNIT/FLOOR ASSEMBLY - LIGHTWEIGHT OR NORMAL WEIGHT CONCRETE FLOOR (MINIMUM 2-1/2" THICK) OVER METAL DECKING.
  - C. LIGHTWEIGHT OR NORMAL WEIGHT CONCRETE WALL (MINIMUM 3-1/2" THICK).
  - D. ANY UL CLASSIFIED CONCRETE BLOCK WALL.
2. PENETRATING ITEM TO BE ONE OF THE FOLLOWING (CLOSED PIPING SYSTEMS ONLY) :
  - A. MAXIMUM 2" NOMINAL DIAMETER PVC PLASTIC PIPE (CELLULAR OR SOLID CORE) (SCH 40).
  - B. MAXIMUM 2" NOMINAL DIAMETER CPVC PLASTIC PIPE (SDR 13.5).
  - C. MAXIMUM 2" NOMINAL DIAMETER RIGID NONMETALLIC PVC CONDUIT (RNC) (SCH 40).
  - D. MAXIMUM 2" NOMINAL DIAMETER ENT.
  - E. MAXIMUM 1" NOMINAL DIAMETER PEX TUBING (SDR 9).
3. MINIMUM 1-1/2" THICKNESS MINERAL WOOL (MIN. 4 PCF DENSITY) TIGHTLY PACKED.
4. MINIMUM 1" DEPTH HILTI FS-ONE MAX OR FS-ONE INTUMESCENT FIRESTOP SEALANT.
5. MINIMUM 1/2" BEAD HILTI FS-ONE MAX OR FS-ONE INTUMESCENT FIRESTOP SEALANT APPLIED AT POINT OF CONTACT.

**NOTES :** 1. MAXIMUM DIAMETER OF OPENING = 4".  
 2. ANNULAR SPACE = MINIMUM 0", MAXIMUM 1-5/8".  
 3. MINIMUM 1" DEPTH HILTI FS-ONE MAX OR FS-ONE INTUMESCENT FIRESTOP SEALANT IS REQUIRED ON EACH SIDE OF A WALL ASSEMBLY.



HILTI, Inc.  
 Tulsa, Oklahoma USA (800) 879-8000

Sheet	1 of 1
Scale	3/16" = 1"
Date	Jan. 05, 2015

Drawing No.

**CAJ  
2647b**