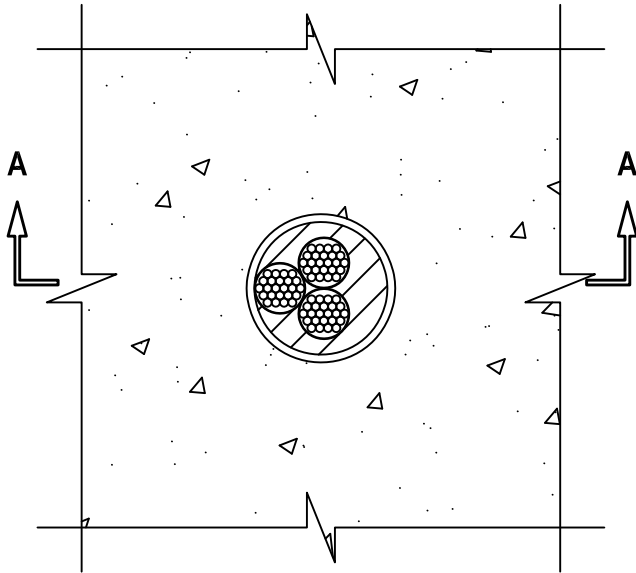


**CABLE BUNDLE WITHIN NYLON RACEWAY THROUGH
CONCRETE FLOOR/WALL OR BLOCK WALL ASSEMBLY**

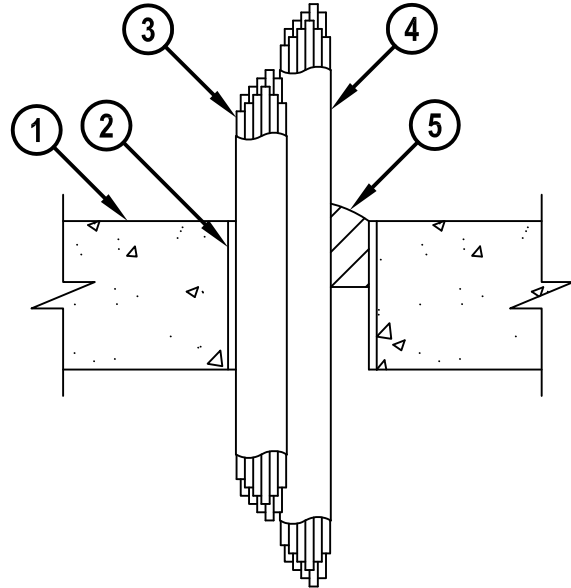
F-RATING = 2-HR.
T-RATING = 0-HR.

CAJ2660a.051712

TOP VIEW



SECTION A-A



1. CONCRETE FLOOR OR WALL ASSEMBLY (2-HR. FIRE-RATING) :
 - A. LIGHTWEIGHT OR NORMAL WEIGHT CONCRETE FLOOR OR WALL (MINIMUM 4-1/2" THICK).
 - B. ANY UL/cUL CLASSIFIED CONCRETE BLOCK WALL.
2. [OPTIONAL] MAXIMUM 4" NOMINAL DIAMETER STEEL PIPE (SCH 5 OR HEAVIER), STEEL CONDUIT OR EMT SLEEVE. SLEEVE MAY EXTEND MAXIMUM 2" ABOVE FLOOR ASSEMBLY OR BOTH SIDES OF A WALL.
3. MAXIMUM 3" DIAMETER FLEXIBLE NYLON OPTICAL FIBER/COMMUNICATIONS CABLE ROUTING ASSEMBLY (UL LISTED FOR PLENUM INSTALLATION) WITH A MAXIMUM OF THREE 1-1/2" DIAMETER CELLS.
4. CABLE BUNDLE TO BE A COMBINATION OF ANY OF THE FOLLOWING :
 - A. MAXIMUM 100 PAIR NO. 24 AWG TELEPHONE CABLE WITH PVC JACKET.
 - B. MAXIMUM 24 FIBER OPTIC CABLE WITH PVC JACKET.
5. HILTI CP 658T FIRESTOP PLUG CUT TO FIT AROUND THE CABLE BUNDLE AND INSTALLED TIGHTLY WITHIN SLEEVE, SUCH THAT THE OUTER CIRCUMFERENCE OF THE DOME SHAPED PLUG IS FLUSH WITH THE TOP SURFACE OF THE FLOOR OR SLEEVE.

NOTES : 1. MAXIMUM DIAMETER OF OPENING = 4".
 2. ANNULAR SPACE = MINIMUM 0", MAXIMUM 3".
 3. CABLES TO FILL MAXIMUM 80% EACH CELL OF FLEXIBLE NYLON CABLE ROUTING ASSEMBLY.
 4. CABLES TO FILL MAXIMUM 60% CROSS-SECTIONAL AREA OF SLEEVE.



HILTI, Inc.
Tulsa, Oklahoma USA (800) 879-8000

Sheet	1 of 1
Scale	11/64" = 1"
Date	May 17, 2012

Drawing No.

**CAJ
2660a**