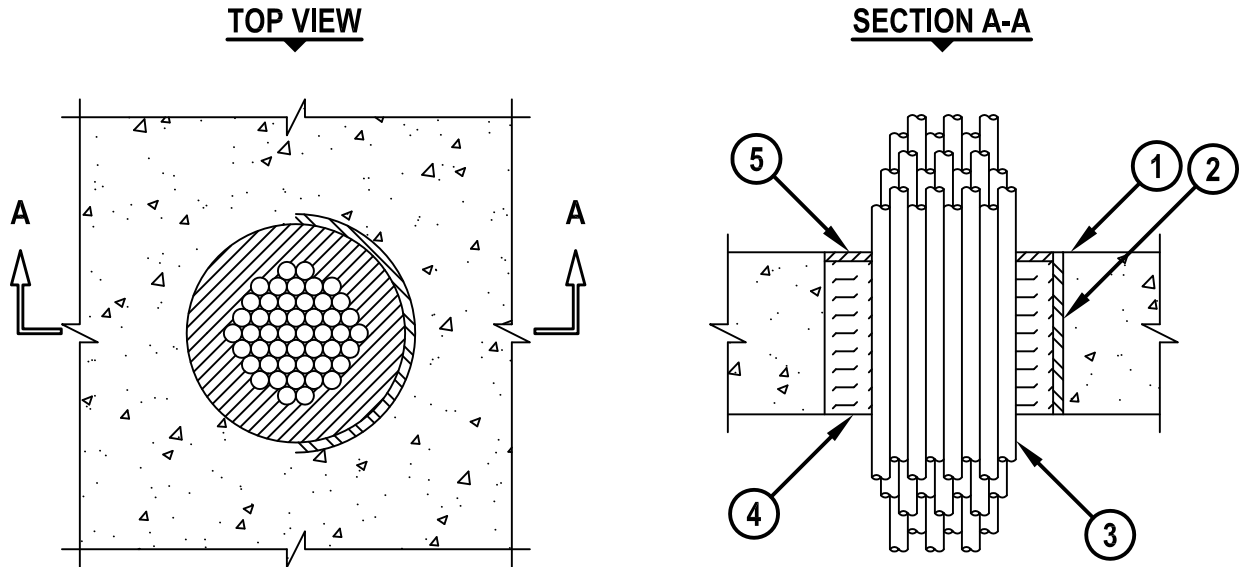


CABLE BUNDLE THROUGH CONCRETE FLOOR/WALL OR BLOCK WALL

F-RATING = 3-HR.

T-RATING = 0-HR.

CAJ3180e.010515



1. CONCRETE FLOOR OR WALL ASSEMBLY (3-HR. FIRE-RATING) :
 - A. LIGHTWEIGHT OR NORMAL WEIGHT CONCRETE FLOOR (MINIMUM 4-1/2" THICK).
 - B. LIGHTWEIGHT OR NORMAL WEIGHT CONCRETE WALL (MINIMUM 4-3/4" THICK).
 - C. ANY UL/cUL CLASSIFIED CONCRETE BLOCK WALL.
2. [OPTIONAL] MAXIMUM 6" NOMINAL DIAMETER STEEL PIPE SLEEVE (SCHEDULE 40 OR HEAVIER).
3. CABLE BUNDLE TO CONSIST OF ANY OF THE FOLLOWING :
 - A. MAXIMUM 500 KCMIL POWER CABLE WITH PVC JACKET.
 - B. MAXIMUM 300 PAIR NO. 24 AWG TELEPHONE CABLE WITH PVC JACKET.
 - C. MAXIMUM 7/C NO. 12 AWG POWER CABLE WITH PVC JACKET.
 - D. MAXIMUM 1/2" DIAMETER FIBER-OPTIC CABLE WITH PVC JACKET.
 - E. MAXIMUM 3/C (+GROUND) NO. 12 AWG STEEL METAL-CLAD CABLE WITH PVC JACKET.
 - F. MAXIMUM 3/C (+GROUND) 2/0 AWG COPPER SER CABLE WITH PVC JACKET.
 - G. TYPE RG/U COAXIAL CABLE.
4. MINIMUM 4-1/4" THICKNESS MINERAL WOOL (MIN. 4 PCF DENSITY) TIGHTLY PACKED.
5. MINIMUM 1/4" DEPTH HILTI FS-ONE MAX OR FS-ONE INTUMESCENT FIRESTOP SEALANT.

NOTES : 1. MAXIMUM DIAMETER OF OPENING = 6".
 2. CABLES TO FILL MAXIMUM 45% OF CROSS-SECTIONAL AREA OF OPENING.
 3. MINIMUM 1/4" DEPTH HILTI FS-ONE MAX OR FS-ONE INTUMESCENT FIRESTOP SEALANT IS REQUIRED ON BOTH SIDES OF A WALL ASSEMBLY.



HILTI, Inc.
 Tulsa, Oklahoma USA (800) 879-8000

Sheet	1 of 1
Scale	3/16" = 1"
Date	Jan. 05, 2015

Drawing No.
**CAJ
 3180e**