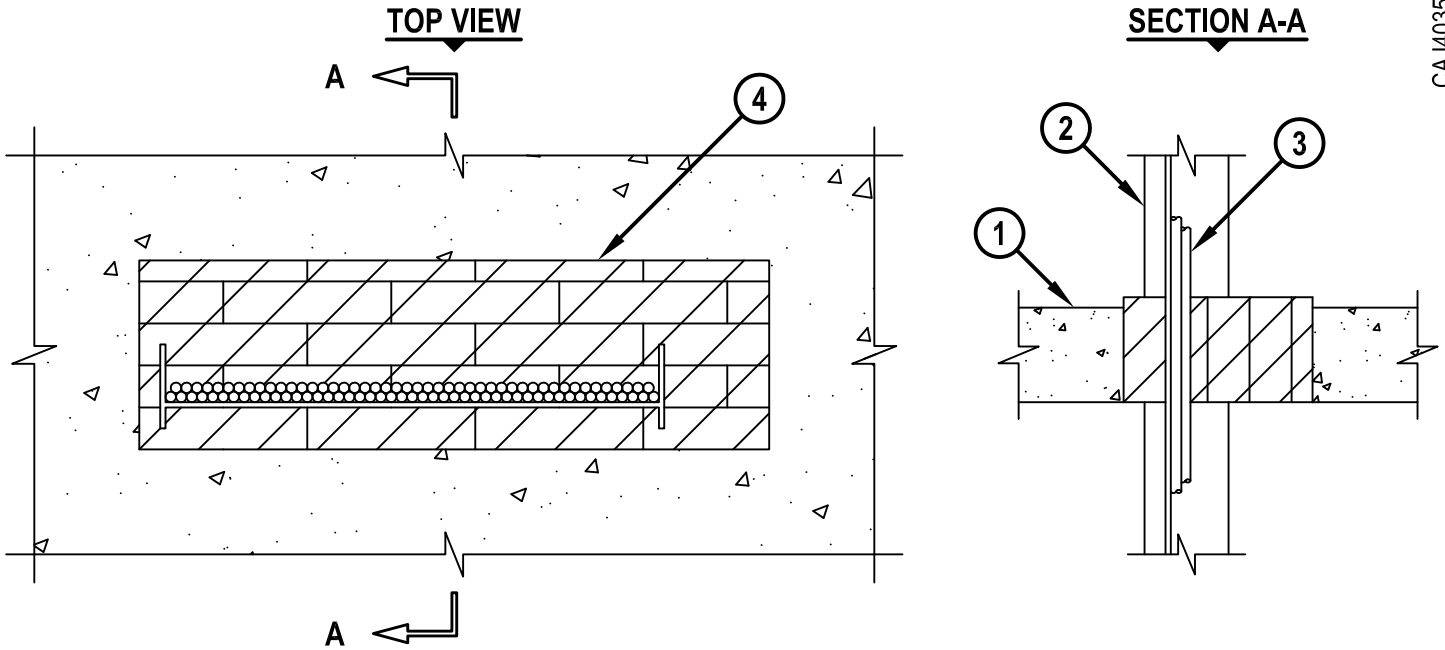


CABLE TRAY THROUGH CONCRETE FLOOR/WALL OR BLOCK WALL

F-RATING = 3-HR.

T-RATING = 0-HR.

CAJ4035j.010615



1. CONCRETE FLOOR OR WALL ASSEMBLY (3-HR. FIRE-RATING) :
 - A. LIGHTWEIGHT OR NORMAL WEIGHT CONCRETE FLOOR OR WALL (MINIMUM 4-1/2" THICK).
 - B. ANY UL/cUL CLASSIFIED CONCRETE BLOCK WALL.
2. MAXIMUM 24" x 4", ALUMINUM OR STEEL, OPEN LADDER OR SOLID BACK CABLE TRAY.
3. CABLES TO BE A COMBINATION OF ANY OF THE FOLLOWING (SEE NOTE NO. 4 BELOW) :
 - A. MAXIMUM 300 PAIR NO. 24 AWG TELEPHONE CABLE WITH PVC JACKET.
 - B. MAXIMUM 500 KCMIL SINGLE CONDUCTOR POWER CABLE WITH PVC JACKET.
 - C. MAXIMUM 1/2" DIAMETER FIBER-OPTIC CABLE (24 FIBER) WITH PVC JACKET.
 - D. MAXIMUM 3/C NO. 12 AWG METAL CLAD CABLE.
4. HILTI CFS-BL FIRESTOP BLOCK OR HILTI FS 657 FIRE BLOCKS (2" THICK x 8" WIDE x 5" DEEP, REFERENCE : TOP VIEW) FLUSH WITH BOTTOM OF FLOOR. EITHER ONE OR A COMBINATION OF THE BLOCK TYPES MAY BE USED.

NOTES : 1. MAXIMUM AREA OF OPENING = 270 SQ. IN., WITH A MAXIMUM DIMENSION OF 30".
 2. ANNULAR SPACE = MINIMUM 1", MAXIMUM 4".
 3. APPLY HILTI FS-ONE MAX OR FS-ONE INTUMESCENT FIRESTOP SEALANT OR CP 618 FIRESTOP PUTTY STICK INTO INTERSTICES OF CABLES, BETWEEN CABLES AND CABLE TRAY, AND ANY VOIDS TO MAXIMUM EXTENT POSSIBLE.
 4. MAXIMUM AREA OF CABLES SHALL BE 40% OF CROSS-SECTIONAL AREA OF CABLE TRAY.
 5. FOR BLOCK WALLS, FIRESTOP BLOCKS TO FILL ENTIRE THICKNESS OF WALL UNLESS WALL IS SOLID FILLED.



HILTI, Inc.
 Tulsa, Oklahoma USA (800) 879-8000

Sheet	1 of 1
Scale	7/64" = 1"
Date	Jan. 06, 2015

Drawing No.
**CAJ
 4035j**