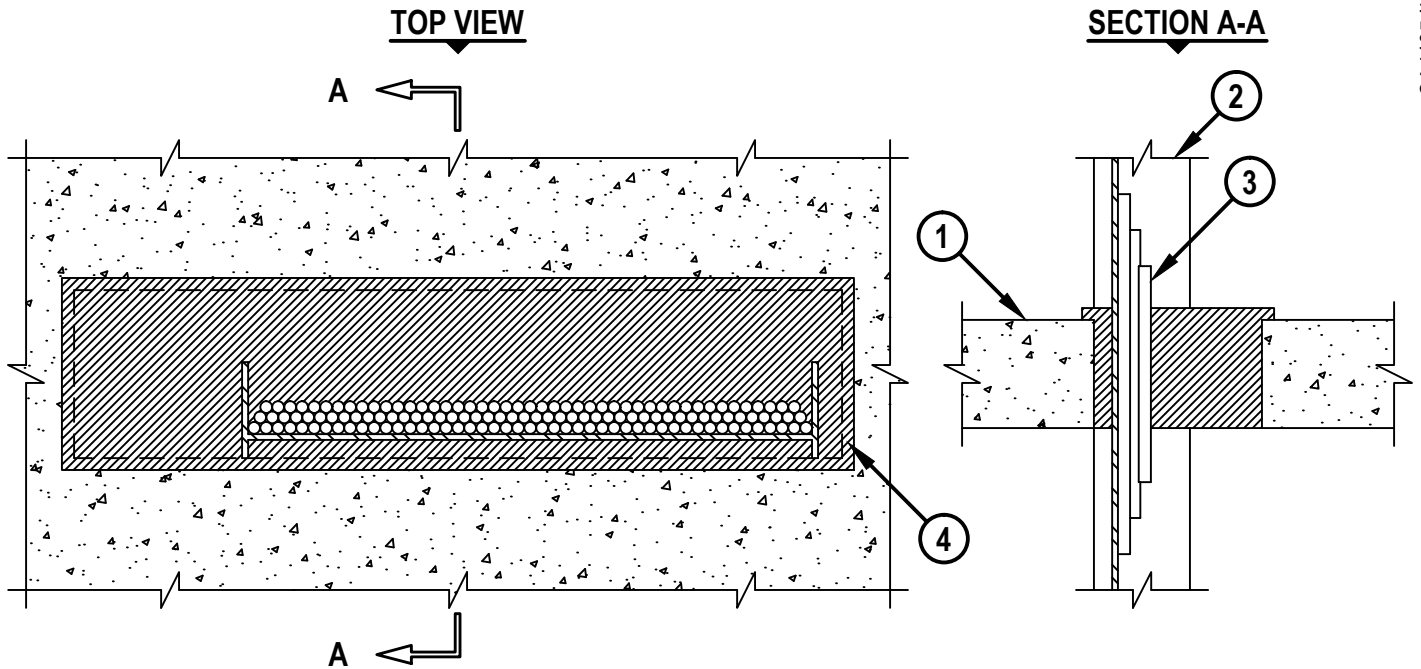


CABLE TRAY THROUGH CONCRETE FLOOR/WALL OR BLOCK WALL ASSEMBLY

F-RATING = 2-HR.
T-RATING = 0-HR.

CAJ4054b.011112



1. CONCRETE FLOOR OR WALL ASSEMBLY (2-HR. FIRE-RATING) :
 - A. LIGHTWEIGHT OR NORMAL WEIGHT CONCRETE FLOOR OR WALL (MINIMUM 4-1/2").
 - B. ANY UL/cUL CLASSIFIED CONCRETE BLOCK WALL.
2. MAXIMUM 24" x 4" ALUMINUM OPEN LADDER CABLE TRAY.
3. CABLES TO A COMBINATION OF ANY OF THE FOLLOWING (SEE NOTE NO. 3 BELOW) :
 - A. MAXIMUM 300 PAIR NO. 24 AWG TELEPHONE CABLE.
 - B. MAXIMUM 500 KCMIL SINGLE CONDUCTOR POWER CABLE.
 - C. MAXIMUM 3/8" DIAMETER FIBER-OPTIC CABLE.
 - D. MAXIMUM 3/C NO. 12 AWG METAL-CLAD CABLE.
4. MINIMUM 5" DEPTH HILTI CP 620 FIRE FOAM EXTENDING ABOVE THE TOP SURFACE OF THE FLOOR OR BOTH SURFACES OF WALL AND OVERLAPPING THE CONCRETE 1/2" ON ALL SIDES OF OPENING.

NOTES : 1. MAXIMUM AREA OF OPENING = 224 SQ. IN. WITH A MAXIMUM DIMENSION OF 32".
 2. ANNULAR SPACE = MINIMUM 0", MAXIMUM 5".
 3. MAXIMUM AREA OF CABLES SHALL BE 45% OF CROSS-SECTIONAL AREA OF CABLE TRAY.
 4. [OPTIONAL - NOT SHOWN] HILTI CFS-BL FIRESTOP BLOCKS OR HILTI FS 657 FIRE BLOCKS MAY BE APPLIED IN A SINGLE LAYER ABOVE CABLES WITHIN CABLE TRAY (2" THICK x 8" WIDE x 5" DEEP) FIRMLY PACKED WITHIN OPENING.



HILTI, Inc.
Tulsa, Oklahoma USA (800) 879-8000

| | |
|-------|---------------|
| Sheet | 1 of 1 |
| Scale | 1/8" = 1" |
| Date | Jan. 11, 2012 |

Drawing No.
**CAJ
4054b**