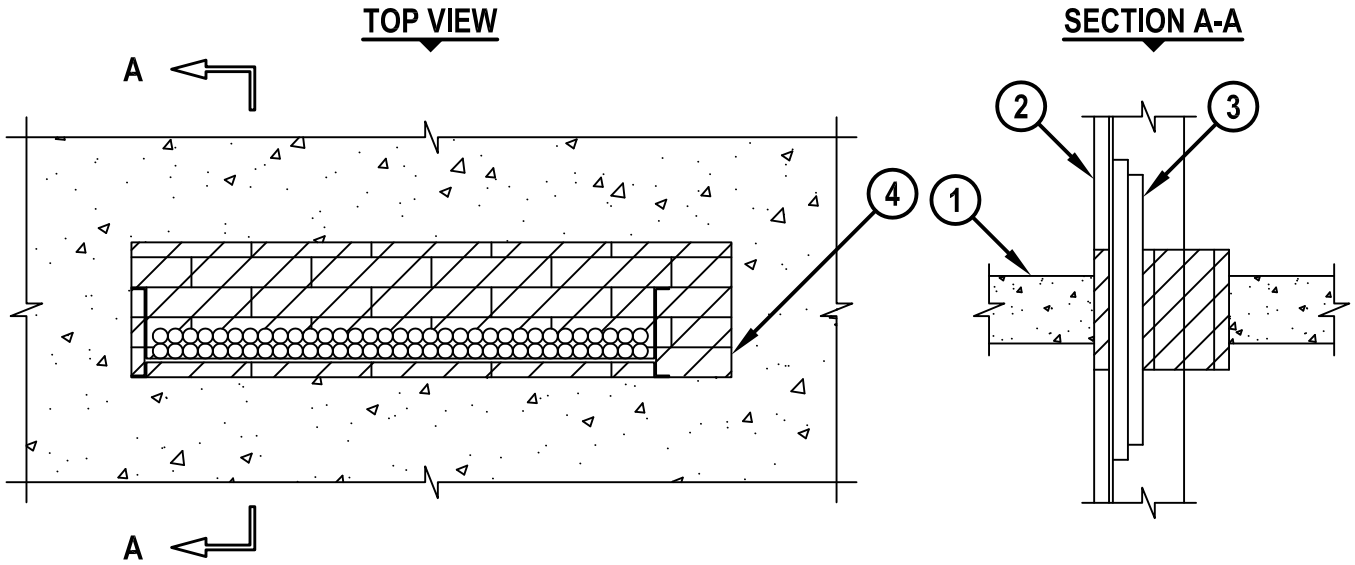


**CABLE TRAY THROUGH CONCRETE FLOOR/WALL OR BLOCK WALL ASSEMBLY**

F-RATING = 2-HR.  
T-RATING = 1/4-HR.

CAJ4094c.020916



1. CONCRETE FLOOR OR WALL ASSEMBLY (2-HR. FIRE-RATING) :
  - A. LIGHTWEIGHT OR NORMAL WEIGHT CONCRETE FLOOR OR WALL (MINIMUM 4-1/2" THICK).
  - B. ANY UL/cUL CLASSIFIED CONCRETE BLOCK WALL.
2. MAXIMUM 36" x 6" ALUMINUM OR STEEL OPEN LADDER CABLE TRAY (SEE NOTE NO. 4 BELOW).
3. CABLES TO BE A COMBINATION OF ANY OF THE FOLLOWING :
  - A. MAXIMUM 300 PAIR NO. 24 AWG TELEPHONE CABLE WITH PVC JACKET.
  - B. MAXIMUM 750 KCMIL SINGLE CONDUCTOR POWER CABLE WITH PVC JACKET.
  - C. MAXIMUM 1/2" DIAMETER FIBER-OPTIC CABLE (24 FIBER) WITH PVC JACKET.
  - D. MAXIMUM 3/C NO. 12 AWG METAL CLAD CABLE.
  - E. MAXIMUM 7/C NO. 12 AWG POWER CABLE WITH PVC JACKET.
4. HILTI CFS-BL FIRESTOP BLOCK (2" THICK x 5" WIDE x 8" DEEP, REFERENCE : TOP VIEW) FIRMLY PACKED AND CENTERED WITHIN FLOOR.

**NOTES :** 1. MAXIMUM AREA OF OPENING = 360 SQ. IN., WITH A MAXIMUM DIMENSION OF 40".  
 2. ANNULAR SPACE = MINIMUM 0", MAXIMUM 2-1/4".  
 3. APPLY HILTI FS-ONE MAX INTUMESCENT FIRESTOP SEALANT, HILTI CP 618 FIRESTOP PUTTY STICK, HILTI CP 620 FIRE FOAM, OR HILTI CP 660 FIRESTOP FOAM INTO INTERSTICES OF CABLES, BETWEEN CABLES AND CABLE TRAY, AND ANY VOIDS TO MAXIMUM EXTENT POSSIBLE.  
 4. MAXIMUM AREA OF CABLES SHALL BE 40% OF CROSS-SECTIONAL AREA OF CABLE TRAY, BASED ON A MAXIMUM 4" LOADING DEPTH.



HILTI, Inc.  
Plano, Texas USA (800) 879-8000

Sheet	1 of 1
Scale	5/64" = 1"
Date	Feb. 09, 2016

Drawing No.  
**CAJ  
4094c**