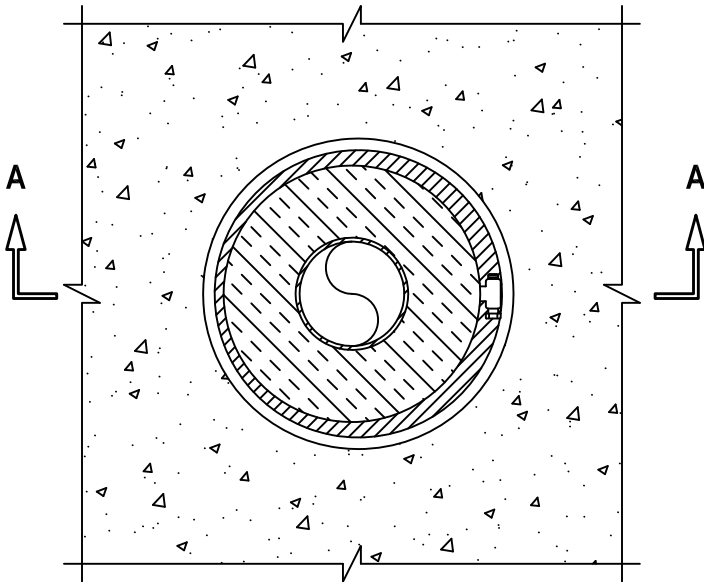


INSULATED METAL PIPE THROUGH CONCRETE FLOOR/WALL OR BLOCK WALL

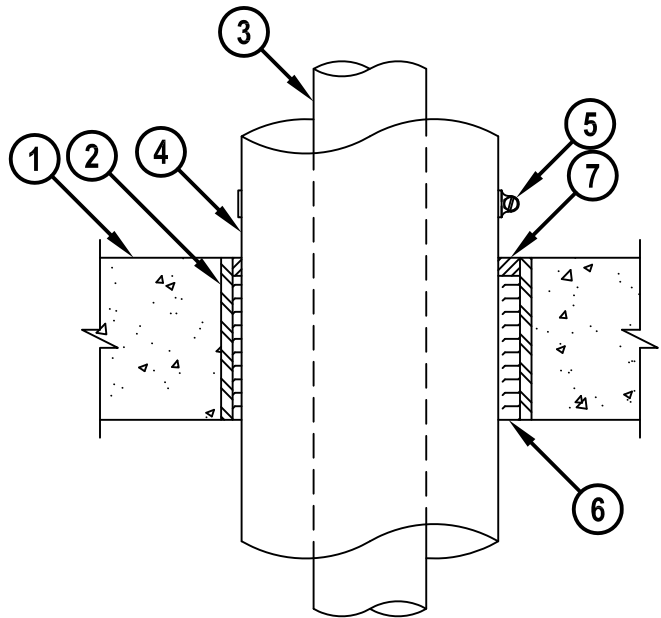
F-RATING = 2-HR.
T-RATING = 0-HR.

CAJ5295c.012016

TOP VIEW



SECTION A-A



1. CONCRETE FLOOR OR WALL ASSEMBLY (2-HR. FIRE-RATING) :
 - A. LIGHTWEIGHT OR NORMAL WEIGHT CONCRETE FLOOR (MINIMUM 4-1/2" THICK).
 - B. LIGHTWEIGHT OR NORMAL WEIGHT CONCRETE WALL (MINIMUM 5" THICK).
 - C. ANY UL/cUL CLASSIFIED CONCRETE BLOCK WALL.
2. [OPTIONAL] MAXIMUM 8" NOMINAL DIAMETER STEEL PIPE SLEEVE (SCHEDULE 10 OR HEAVIER).
3. PENETRATING ITEM TO BE ONE OF THE FOLLOWING :
 - A. MAXIMUM 3" NOMINAL DIAMETER STEEL PIPE (SCHEDULE 10 OR HEAVIER).
 - B. MAXIMUM 3" NOMINAL DIAMETER CAST OR DUCTILE IRON PIPE.
 - B. MAXIMUM 3" NOMINAL DIAMETER COPPER PIPE OR TUBING.
4. NOMINAL 2" POLYISOCYANURATE FOAMED PLASTIC INSULATION WITH AN ALL SERVICE JACKET.
5. MINIMUM 1/2" WIDE STAINLESS STEEL BANDING OR HOSE CLAMP(S) SECURED AROUND ALL SERVICE JACKET AND LOCATED 1-1/2" FROM ASSEMBLY SURFACE.
6. MINIMUM 4" THICKNESS MINERAL WOOL (MIN. 4 PCF DENSITY) TIGHTLY PACKED AND RECESSED TO ACCOMMODATE FIRESTOP SEALANT.
7. MINIMUM 1/2" DEPTH HILTI FS-ONE MAX OR FS-ONE INTUMESCENT FIRESTOP SEALANT.

NOTES : 1. MAXIMUM DIAMETER OF OPENING = 8".
 2. ANNULAR SPACE = MINIMUM 1/4", MAXIMUM 5/8".
 3. MINIMUM 1/2" DEPTH HILTI FS-ONE MAX OR FS-ONE INTUMESCENT FIRESTOP SEALANT, STEEL BANDING OR HOSE CLAMP(S), IS REQUIRED ON EACH SIDE OF A WALL ASSEMBLY.



HILTI, Inc.
Plano, Texas USA (800) 879-8000

Sheet	1 of 1
Scale	3/16" = 1"
Date	Jan. 20, 2016

Drawing No.
**CAJ
5295c**