

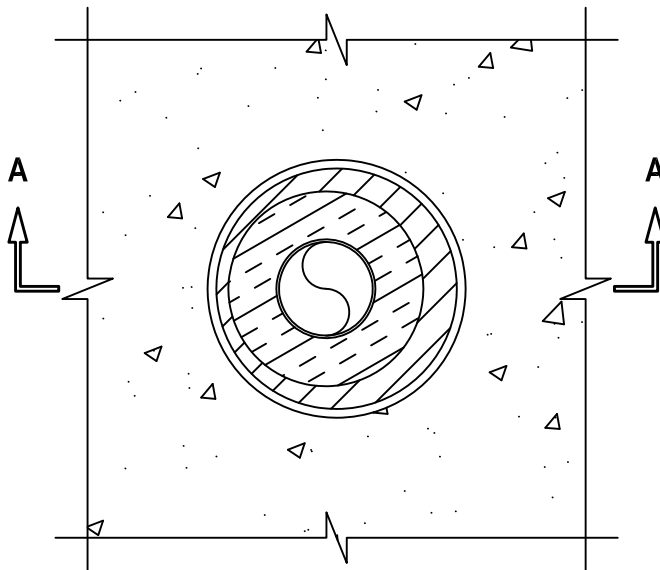
INSULATED METAL PIPE THROUGH CONCRETE FLOOR/WALL OR BLOCK WALL

F-RATING = 2-HR.

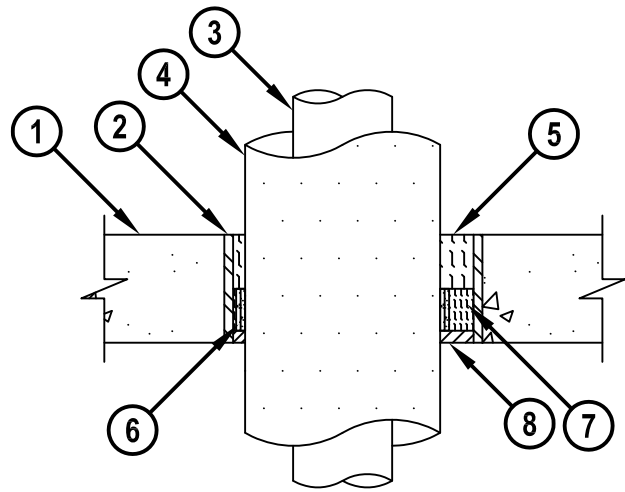
T-RATING = 0-HR. OR 1 1/2-HR.

CAJ5342b.010615

TOP VIEW



SECTION A-A



1. CONCRETE FLOOR OR WALL ASSEMBLY (2-HR. FIRE-RATING) :
 - A. LIGHTWEIGHT OR NORMAL WEIGHT CONCRETE FLOOR OR WALL (MINIMUM 4-1/2" THICK).
 - B. ANY UL/cUL CLASSIFIED CONCRETE BLOCK WALL.
2. [OPTIONAL] MAXIMUM 10" NOMINAL DIAMETER STEEL PIPE SLEEVE (SCHEDULE 10 OR HEAVIER).
3. PENETRATING ITEM TO BE ONE OF THE FOLLOWING :
 - A. MAXIMUM 4" NOMINAL DIAMETER STEEL PIPE (SCHEDULE 40 OR HEAVIER).
 - B. MAXIMUM 4" NOMINAL DIAMETER CAST OR DUCTILE IRON PIPE.
 - C. MAXIMUM 4" NOMINAL DIAMETER COPPER PIPE OR TUBING.
4. NOMINAL 1" TO 2" THICK GLASS-FIBER PIPE INSULATION.
5. MINIMUM 2" THICKNESS MINERAL WOOL (MIN. 4 PCF DENSITY) TIGHTLY PACKED TO FILL ANNULAR SPACE ABOVE WRAP STRIP.
6. HILTI CP 648E WRAP STRIP (NOMINAL 3/16" THICK x 1-3/4" WIDE) CONTINUOUSLY WRAPPED AROUND THE OUTER CIRCUMFERENCE OF THE INSULATED PIPE, COVERING TWO TIMES, WITH ENDS BUTTED AND HELD IN PLACE WITH TAPE. WRAP STRIP SLID INTO ANNULAR SPACE AND RECESSED 1/2" FROM THE BOTTOM SURFACE OF FLOOR.
7. NOMINAL 1-3/4" THICKNESS MINERAL WOOL (MIN. 4 PCF DENSITY) TIGHTLY PACKED TO FILL ANNULAR SPACE BETWEEN THE WRAP STRIP AND PERIPHERY OF THE OPENING.
8. MINIMUM 1/2" DEPTH HILTI FS-ONE MAX OR FS-ONE INTUMESCENT FIRESTOP SEALANT FLUSH WITH THE BOTTOM SURFACE OF FLOOR.

NOTES : 1. MAXIMUM DIAMETER OF OPENING = 10".
 2. ANNULAR SPACE = MINIMUM 1/2", MAXIMUM 1-1/2".
 3. MINIMUM 1/2" DEPTH HILTI FS-ONE MAX OR FS-ONE INTUMESCENT FIRESTOP SEALANT AND HILTI CP 648E WRAP STRIP ARE REQUIRED ON BOTH SIDES OF A WALL.



HILTI, Inc.
 Tulsa, Oklahoma USA (800) 879-8000

Sheet	1 of 1
Scale	1/8" = 1"
Date	Jan. 06, 2015

Drawing No.
CAJ
5342b