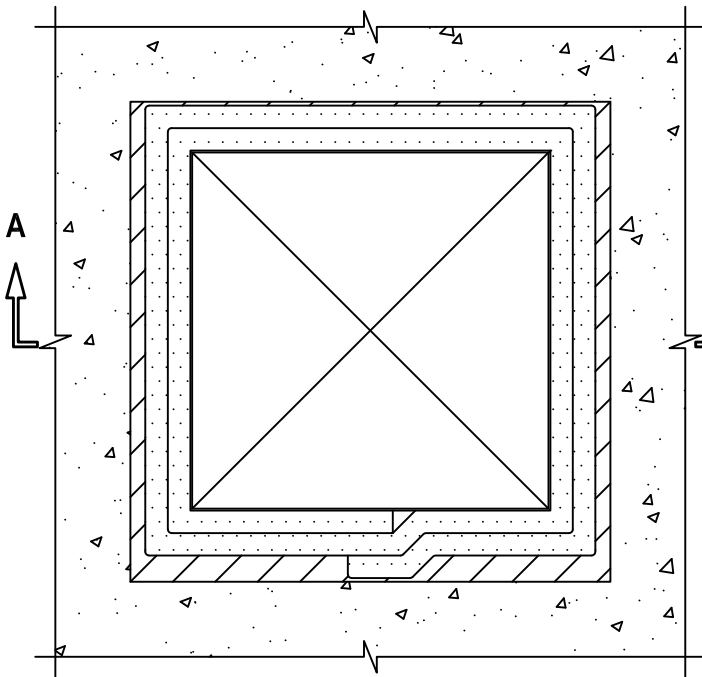


**INSULATED DUCT (UNIFRAX) THROUGH CONCRETE FLOOR/WALL OR  
BLOCK WALL ASSEMBLY**

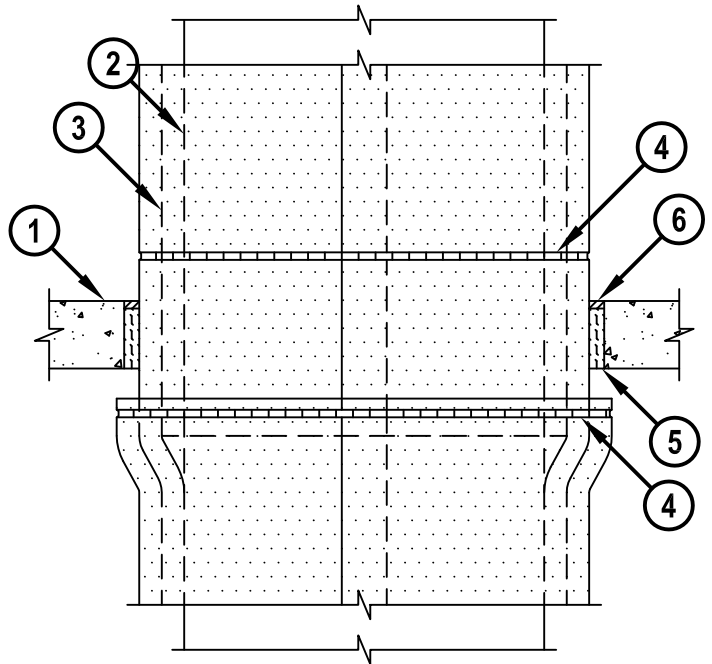
F-RATING = 2-HR.  
T-RATING = 2-HR.

CAJ7123b.010615

**TOP VIEW**



**SECTION A-A**



1. CONCRETE FLOOR OR WALL ASSEMBLY (2-HR. FIRE-RATING) :
  - A. LIGHTWEIGHT OR NORMAL WEIGHT CONCRETE FLOOR (MINIMUM 4-1/2" THICK).
  - B. LIGHTWEIGHT OR NORMAL WEIGHT CONCRETE WALL (MINIMUM 5" THICK).
  - C. ANY UL/cUL CLASSIFIED CONCRETE BLOCK WALL.
2. MAXIMUM 24" x 24" STEEL AIR OR GREASE DUCT (MINIMUM 16 GA.).
3. MAXIMUM 1-1/2" THICK FYREWAP DUCT 1.5 MANUFACTURED BY UNIFRAX CORP. (SEE NOTE NO. 3 BELOW).
4. 1/2" WIDE x 0.015" THICK TYPE 302 STAINLESS STEEL BANDING STRAPS USED IN CONJUNCTION WITH 1/2" WIDE x 1" LONG TYPE 302 STAINLESS STEEL CRIMP CLAMPS AT MAXIMUM 12" C/C AND 1-1/2" TO 3" FROM TRANSVERSE JOINT ON OUTER LAYER OF DUCT WRAP.
5. MINIMUM 4" THICKNESS UNFACED SCRAP DUCT WRAP MATERIAL OR MINERAL WOOL (MIN. 3 PCF DENSITY) TIGHTLY PACKED.
6. MINIMUM 1/2" DEPTH HILTI FS-ONE MAX OR FS-ONE INTUMESCENT FIRESTOP SEALANT.

**NOTES :** 1. MAXIMUM AREA OF OPENING = 1024 SQ. IN., WITH MAXIMUM DIMENSION OF 32".  
 2. ANNULAR SPACE = NOMINAL 1".  
 3. STEEL AIR OR GREASE DUCT WRAPPED WITH TWO LAYERS OF DUCT WRAP IN ACCORDANCE WITH INSTALLATION INSTRUCTIONS.



HILTI, Inc.  
Tulsa, Oklahoma USA (800) 879-8000

Sheet	1 of 1
Scale	5/64" = 1"
Date	Jan. 06, 2015

Drawing No.  
**CAJ  
7123b**