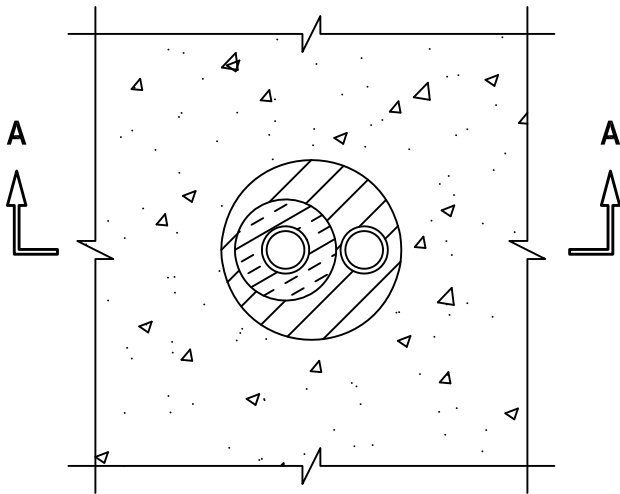


METAL PIPES (INSULATED AND NON-INSULATED) THROUGH CONCRETE FLOOR/WALL OR BLOCK WALL

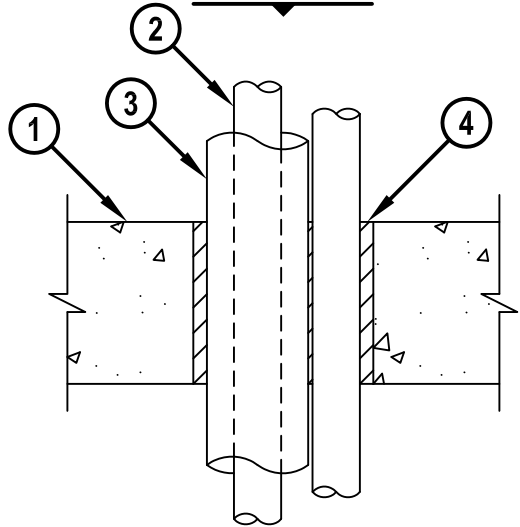
F-RATING = 3-HR.
T-RATING = 0-HR.

CAJ8044h.010615

TOP VIEW



SECTION A-A



1. CONCRETE FLOOR OR WALL ASSEMBLY (3-HR. FIRE-RATING) :
 - A. LIGHTWEIGHT OR NORMAL WEIGHT CONCRETE FLOOR OR WALL (MINIMUM 4-1/2" THICK).
 - B. ANY UL/cUL CLASSIFIED CONCRETE BLOCK WALL.
2. PENETRATING ITEMS TO BE ANY OF THE FOLLOWING (MAX. QTY. = 2) :
 - A. MAXIMUM 1" NOMINAL DIAMETER STEEL PIPE (SCHEDULE 10 OR HEAVIER).
 - B. MAXIMUM 1" NOMINAL DIAMETER COPPER PIPE.
 - C. MAXIMUM 1" NOMINAL DIAMETER STEEL CONDUIT.
 - D. MAXIMUM 1" NOMINAL DIAMETER EMT.
3. [OPTIONAL] ONE PIPE CAN BE COVERED WITH MAXIMUM 3/4" THICK (AB/PVC) FLEXIBLE FOAM TYPE INSULATION.
4. MINIMUM 4-1/2" DEPTH HILTI FS-ONE MAX OR FS-ONE INTUMESCENT FIRESTOP SEALANT FLUSH WITH TOP SURFACE OF FLOOR, OR BOTH SURFACES OF A WALL.

NOTES : 1. MAXIMUM DIAMETER OF OPENING = 5".
2. ANNULAR SPACE = MINIMUM 3/8", MAXIMUM 2".
3. ANNULAR SPACE BETWEEN PENETRATING ITEMS = MINIMUM 1-1/8".



Hilti Firestop Systems

HILTI, Inc.
Tulsa, Oklahoma USA (800) 879-8000

Sheet	1 of 1
Scale	3/16" = 1"
Date	Jan. 06, 2015

Drawing No.

**CAJ
8044h**