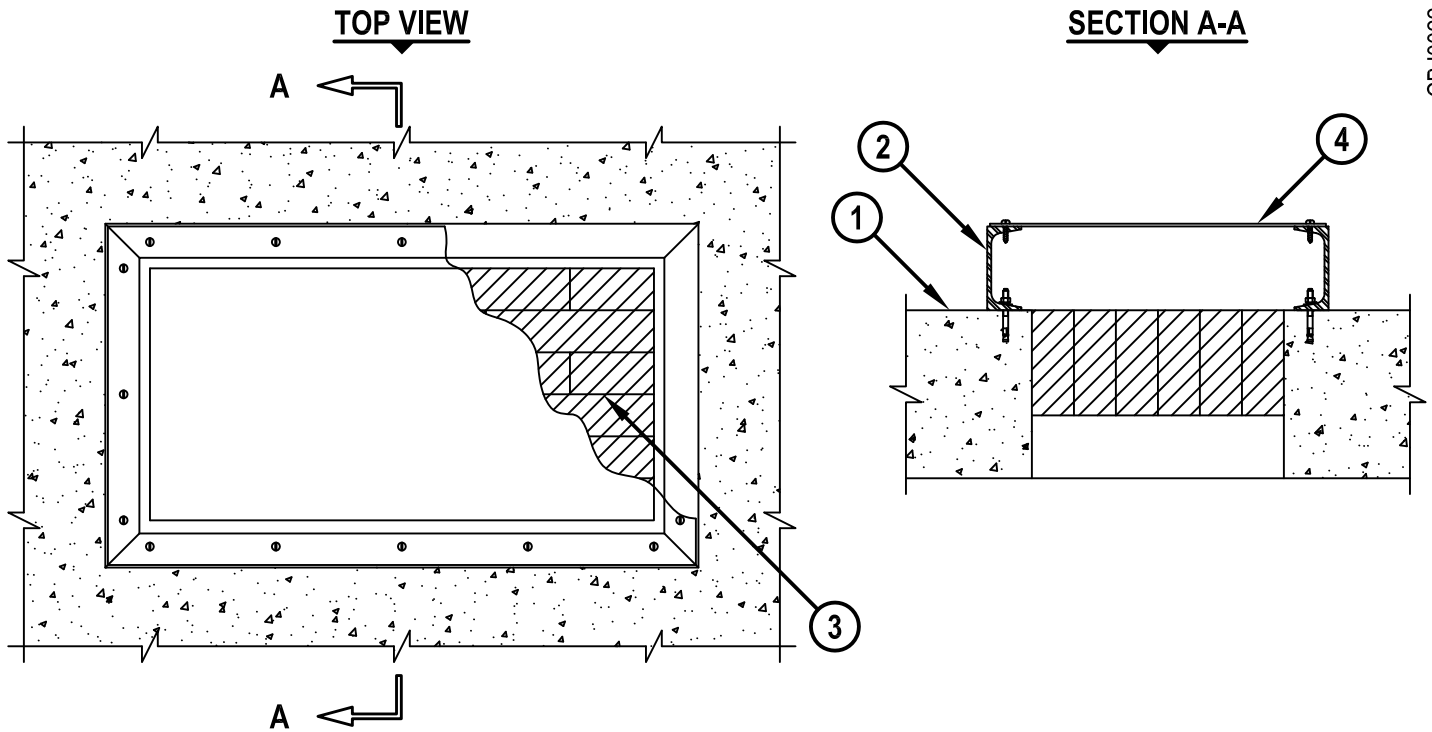


**BLANK OPENING THROUGH CONCRETE FLOOR OR WALL ASSEMBLY**

F-RATING = 2-HR.

T-RATING = 2-HR.

CBJ0022e.010512



1. CONCRETE FLOOR OR WALL ASSEMBLY (2-HR. FIRE-RATING) :
  - A. LIGHTWEIGHT OR NORMAL WEIGHT CONCRETE FLOOR OR WALL (MINIMUM 8" THICK).
  - B. STEEL FLOOR UNIT/FLOOR ASSEMBLY - NORMAL WEIGHT CONCRETE FLOOR (MINIMUM 8" THICK) OVER METAL DECKING.
2. NOMINAL 4" x 1-1/2" x 3/16" THICK STRUCTURAL STEEL CHANNEL SHEATHING, SECURED TO CONCRETE FLOOR ASSEMBLY WITH 1/4" x 1-1/4" LONG STEEL CONCRETE SCREWS (6" TO 8" C/C SPACING).
3. HILTI CFS-BL FIRESTOP BLOCK OR HILTI FS 657 FIRE BLOCK (2" THICK x 8" WIDE x 5" DEEP, REFERENCE : TOP VIEW) FIRMLY PACKED AND FLUSH WITH TOP SURFACE OF CONCRETE FLOOR, OR EITHER SURFACE OF WALL. EITHER ONE OR A COMBINATION OF THE BLOCK TYPES MAY BE USED.
4. SHEET METAL COVER PLATE (MIN. 22 GA.) SECURELY FASTENED TO TOP OF STEEL CHANNEL SHEATHING WITH 1/4" STEEL BOLTS (5" TO 7" C/C SPACING).

**NOTE : MAXIMUM SIZE OF OPENING = 24" x 12".**



HILTI, Inc.  
Tulsa, Oklahoma USA (800) 879-6000

Sheet	1 of 1
Scale	7/64" = 1"
Date	Jan. 05, 2012

Drawing No.  
**CBJ  
0022e**