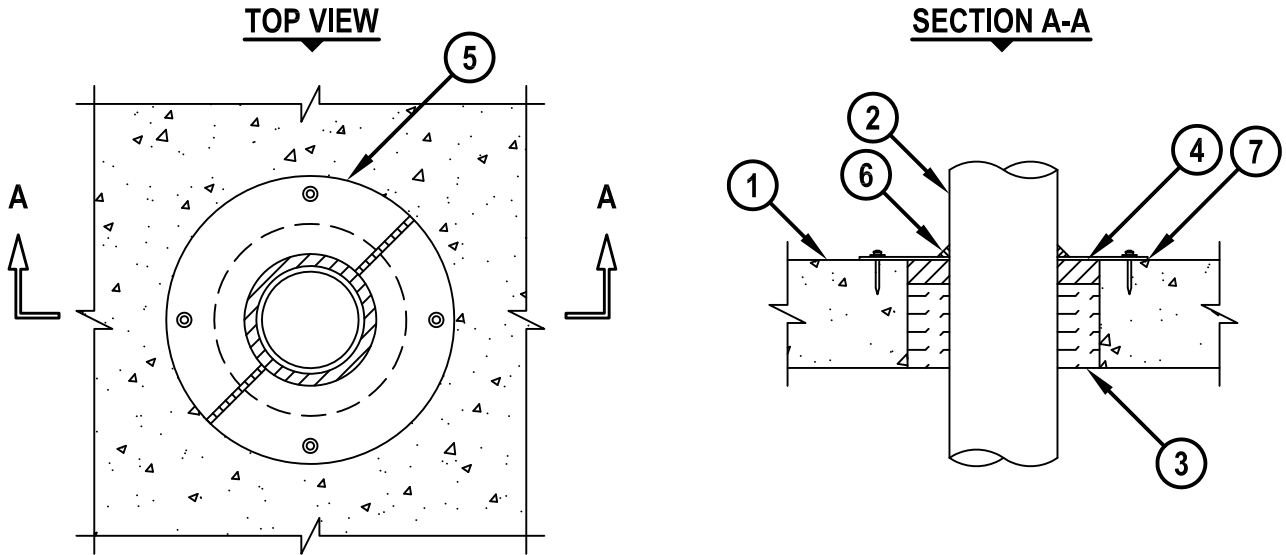


**METALLIC PIPE THROUGH CONCRETE FLOOR/WALL OR BLOCK WALL**

F-RATING = 4-HR.  
T-RATING = 0-HR.

CBJ1034h.010615



1. CONCRETE FLOOR OR WALL ASSEMBLY (4-HR. FIRE-RATING) :
  - A. LIGHTWEIGHT OR NORMAL WEIGHT CONCRETE FLOOR (MINIMUM 5-1/2" THICK).
  - B. LIGHTWEIGHT OR NORMAL WEIGHT CONCRETE WALL (MINIMUM 6" THICK).
  - C. ANY UL/cUL CLASSIFIED CONCRETE BLOCK WALL.
2. PENETRATING ITEM TO BE ANY ONE OF THE FOLLOWING :
  - A. MAXIMUM 4" NOMINAL DIAMETER STEEL PIPE (SCHEDULE 40 OR HEAVIER).
  - B. MAXIMUM 4" NOMINAL DIAMETER STEEL CONDUIT.
  - C. MAXIMUM 4" NOMINAL DIAMETER EMT.
3. MINIMUM 4" THICKNESS MINERAL WOOL (MIN. 4 PCF DENSITY) TIGHTLY PACKED.
4. MINIMUM 1" DEPTH HILTI FS-ONE MAX OR FS-ONE INTUMESCENT FIRESTOP SEALANT.
5. MINIMUM 18 GA. SHEET METAL COVER PLATE SECURELY ATTACHED WITH HILTI POWDER ACTUATED FASTENERS (X-ZF 27 PINS).
6. MINIMUM 1/2" BEAD HILTI FS-ONE MAX OR FS-ONE INTUMESCENT FIRESTOP SEALANT AT INTERFACE BETWEEN COVER PLATE AND PIPE.
7. SEE NOTE NO. 3 BELOW.

**NOTES :** 1. MAXIMUM DIAMETER OF OPENING = 10-1/2".  
 2. ANNULAR SPACE = MINIMUM 3/4", MAXIMUM 3".  
 3. PROVIDE A GENEROUS BEAD OF HILTI FS-ONE MAX OR FS-ONE INTUMESCENT FIRESTOP SEALANT ALONG EDGE OF COVER PLATE.  
 4. INSIDE DIAMETER OF STEEL PLATE SHOULD BE SAME AS PIPE OUTSIDE DIAMETER. OUTSIDE DIAMETER OF STEEL PLATE IS TO BE SIZED MINIMUM 1-1/2" LARGER THAN PERIPHERY OF OPENING.



HILTI, Inc.  
Tulsa, Oklahoma USA (800) 879-8000

Sheet	1 of 1
Scale	1/8" = 1"
Date	Jan. 06, 2015

Drawing No.  
**CBJ  
1034h**