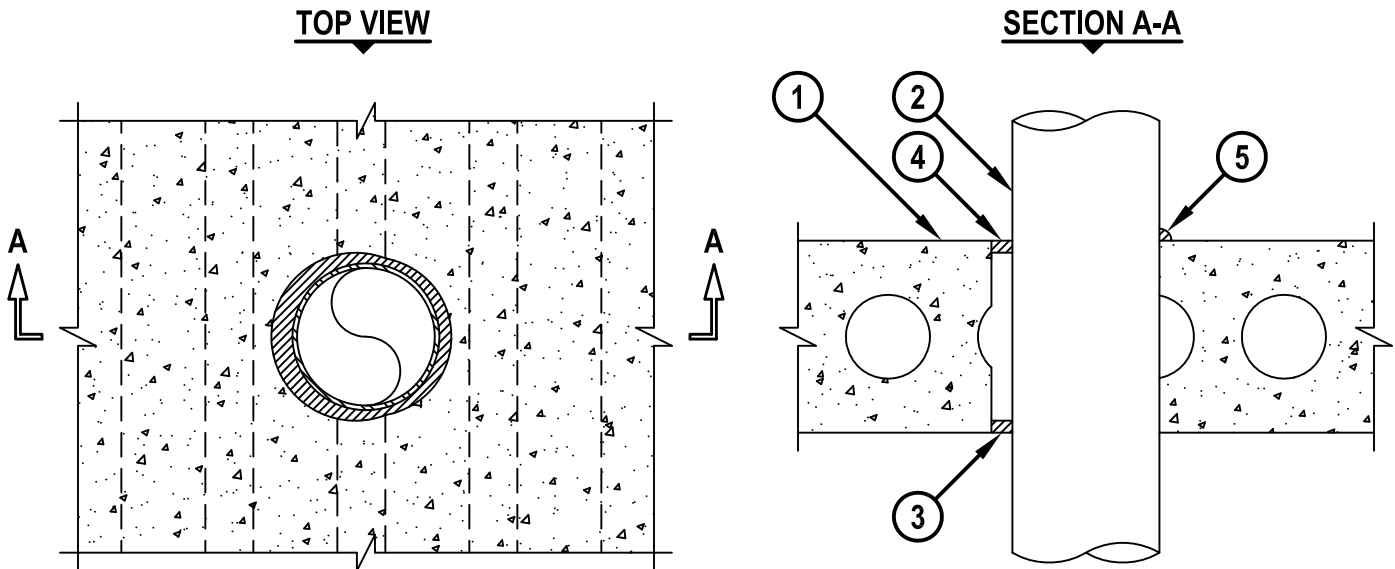


METAL PIPE THROUGH HOLLOW-CORE CONCRETE FLOOR ASSEMBLY

F-RATING = 2-HR.
T-RATING = 1/4-HR.

CBJ1045c.010615



1. ANY UL/cUL CLASSIFIED PRECAST HOLLOW-CORE CONCRETE FLOOR ASSEMBLY (MINIMUM 8" THICK) (2-HR. FIRE-RATING).
2. PENETRATING ITEM TO BE ONE OF THE FOLLOWING :
 - A. MAXIMUM 6" NOMINAL DIAMETER STEEL PIPE (SCHEDULE 10 OR HEAVIER).
 - B. MAXIMUM 6" NOMINAL DIAMETER CAST IRON OR DUCTILE IRON PIPE.
 - C. MAXIMUM 6" NOMINAL DIAMETER COPPER PIPE OR TUBING.
 - D. MAXIMUM 6" NOMINAL DIAMETER STEEL CONDUIT.
 - E. MAXIMUM 4" NOMINAL DIAMETER EMT.
3. MINIMUM 1/2" THICKNESS HILTI CP 618 FIRESTOP PUTTY STICK FLUSH WITH BOTTOM SURFACE OF FLOOR ASSEMBLY.
4. MINIMUM 1/2" DEPTH HILTI FS-ONE MAX OR FS-ONE INTUMESCENT FIRESTOP SEALANT FLUSH WITH TOP SURFACE OF FLOOR ASSEMBLY.
5. MINIMUM 1/2" BEAD HILTI FS-ONE MAX OR FS-ONE INTUMESCENT FIRESTOP SEALANT AT POINT OF CONTACT, ON TOP SURFACE OF FLOOR ASSEMBLY.

NOTES : 1. MAXIMUM DIAMETER OF OPENING = 7".
2. ANNULAR SPACE = MINIMUM 0", MAXIMUM 7/8".



HILTI, Inc.
Tulsa, Oklahoma USA (800) 879-8000

Sheet	1 of 1
Scale	1/8" = 1"
Date	Jan. 06, 2015

Drawing No.
**CBJ
1045c**