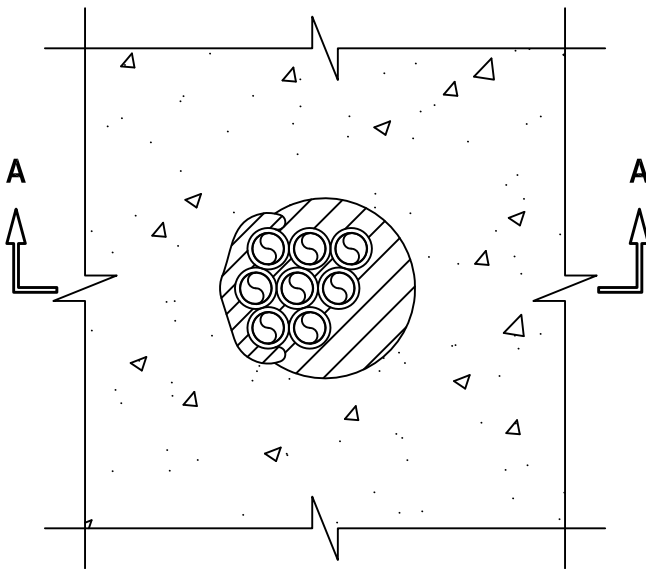


MULTIPLE METALLIC PIPES THROUGH CONCRETE FLOOR/WALL OR BLOCK WALL

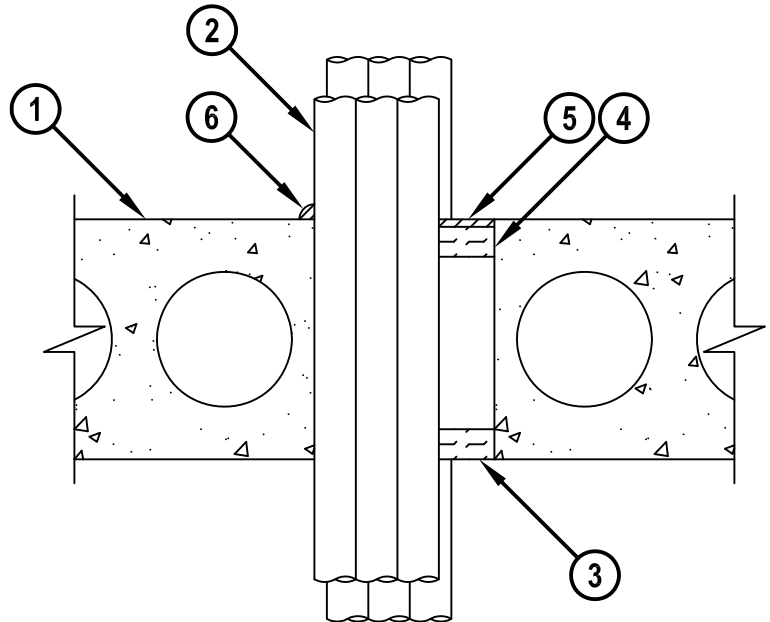
F-RATING = 3-HR.
T-RATING = 3-HR.

CBJ1059c.010615

TOP VIEW



SECTION A-A



1. CONCRETE FLOOR OR WALL ASSEMBLY (3-HR. FIRE-RATING) :
 - A. LIGHTWEIGHT OR NORMAL WEIGHT CONCRETE FLOOR OR WALL (MINIMUM 8" THICK).
 - B. ANY UL CLASSIFIED PRECAST (HOLLOW-CORE) CONCRETE FLOOR (MINIMUM 8" THICK).
 - C. ANY UL CLASSIFIED CONCRETE BLOCK WALL.
2. MAXIMUM 1" NOMINAL DIAMETER FLEXIBLE STEEL CONDUIT OR FLEXIBLE METAL GAS PIPING (MANUFACTURED BY OMEGA FLEX, INC., GASTITE, DIV. OF TITEFLEX, OR WARD MFG., INC.) (MAX. QTY. = 8).
3. MINIMUM 1" THICKNESS MINERAL WOOL (MIN. 4 PCF DENSITY) TIGHTLY PACKED, AND INSTALLED FLUSH WITH BOTTOM OF FLOOR.
4. MINIMUM 1" THICKNESS MINERAL WOOL (MIN. 4 PCF DENSITY) TIGHTLY PACKED, AND RECESSED TO ACCOMMODATE SEALANT.
5. MINIMUM 1/4" DEPTH HILTI FS-ONE MAX OR FS-ONE INTUMESCENT FIRESTOP SEALANT FLUSH WITH TOP SURFACE OF FLOOR.
6. MINIMUM 1/4" BEAD HILTI FS-ONE MAX OR FS-ONE INTUMESCENT FIRESTOP SEALANT APPLIED AT POINT OF CONTACT.

NOTES : 1. MAXIMUM DIAMETER OF OPENING = 6".
 2. ANNULAR SPACE = MINIMUM 0", MAXIMUM 1-1/2".
 3. MINIMUM 1/4" DEPTH HILTI FS-ONE MAX OR FS-ONE INTUMESCENT FIRESTOP SEALANT IS REQUIRED ON BOTH SIDES OF A WALL.



HILTI, Inc.
Tulsa, Oklahoma USA (800) 879-8000

Sheet	1 of 1
Scale	5/32" = 1"
Date	Jan. 06, 2015

Drawing No.
**CBJ
1059c**