

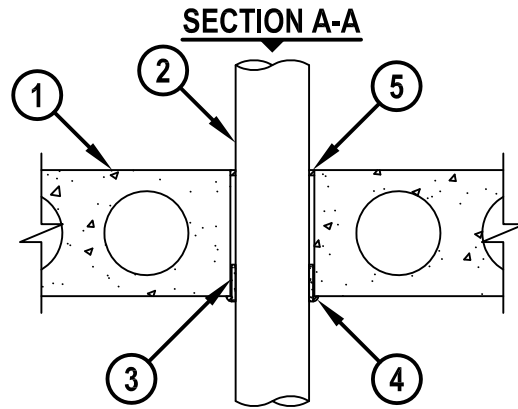
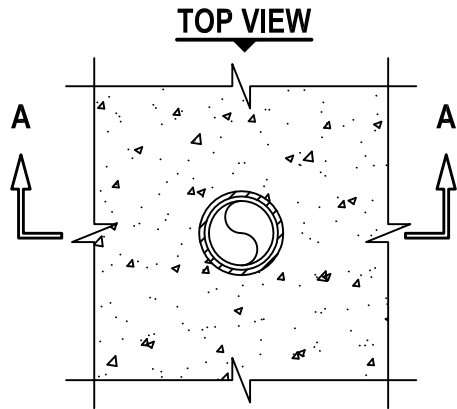
PLASTIC PIPE THROUGH CONCRETE FLOOR/WALL OR HOLLOW-CORE CONCRETE FLOOR ASSEMBLY

F-RATING = 2-HR.

T-RATING = 1-1/2-HR.

W-RATING = CLASS I (SEE NOTE NO. 5 BELOW)

CBJ2011f.010615



1. CONCRETE FLOOR ASSEMBLY (2-HR. FIRE-RATING) :
 - A. LIGHTWEIGHT OR NORMAL WEIGHT CONCRETE FLOOR OR WALL ASSEMBLY (MINIMUM 8" THICK).
 - B. ANY UL CLASSIFIED PRE-CAST HOLLOW CORE FLOOR ASSEMBLY (MINIMUM 8" THICK).
2. PENETRATING ITEM TO BE ONE OF THE FOLLOWING (ALSO SEE NOTE NO. 3 BELOW).
 - A. MAXIMUM 3" NOMINAL DIAMETER PVC PLASTIC PIPE (CELLULAR OR SOLID CORE).
 - B. MAXIMUM 3" NOMINAL DIAMETER CPVC PLASTIC PIPE (CLOSED PIPING SYSTEM ONLY).
3. HILTI CP 648E WRAP STRIP (NOMINAL 3/16" THICK x 1-3/4" WIDE) CONTINUOUSLY WRAPPED AROUND THE OUTER CIRCUMFERENCE OF THE PIPE, COVERING ONCE, WITH ENDS BUTTED AND HELD IN PLACE WITH TAPE. WRAP STRIP TO BE SLID INTO ANNULAR SPACE, SUCH THAT 1/2" EXTENDS BEYOND BOTTOM SURFACE OF FLOOR (SEE NOTE NO. 4 BELOW).
4. MINIMUM 1/4" BEAD HILTI FS-ONE MAX OR FS-ONE INTUMESCENT FIRESTOP SEALANT, HILTI CP 601S ELASTOMERIC FIRESTOP SEALANT, OR HILTI CFS-S SIL GG FIRESTOP SILICONE SEALANT APPLIED AT WRAP STRIP/CONCRETE INTERFACE.
5. MINIMUM 1/4" DEPTH HILTI FS-ONE MAX OR FS-ONE INTUMESCENT FIRESTOP SEALANT, HILTI CP 601S ELASTOMERIC FIRESTOP SEALANT, HILTI CP 604 SELF-LEVELING FIRESTOP SEALANT, HILTI CFS-S SIL GG FIRESTOP SILICONE SEALANT, OR HILTI CFS-S SIL SL FIRESTOP SILICONE SEALANT INSTALLED FLUSH WITH TOP SURFACE OF FLOOR.

- NOTES :**
1. MAXIMUM DIAMETER OF OPENING = 4".
 2. ANNULAR SPACE = NOMINAL 1/4".
 3. CLOSED OR VENTED PIPING SYSTEM (PVC = SCHEDULE 40; CPVC = SDR 13.5).
 4. AS AN ALTERNATE TO HILTI CP 648E WRAP STRIP ON 3" DIAMETER PIPES ONLY, HILTI CP 648S/3" WRAP STRIP MAY BE USED. WRAP HILTI CP 648S WRAP STRIP AROUND CIRCUMFERENCE OF PIPE AND HOLD IN PLACE WITH INTEGRATED TAPE. WRAP STRIP TO BE SLID INTO ANNULAR SPACE, SUCH THAT 1/2" EXTENDS BEYOND BOTTOM SURFACE OF FLOOR.
 5. W-RATING APPLIES ONLY WHEN HILTI CP 601S ELASTOMERIC FIRESTOP SEALANT, HILTI CP 604 SELF-LEVELING FIRESTOP SEALANT, HILTI CFS-S SIL GG FIRESTOP SILICONE SEALANT, OR HILTI CFS-S SIL SL FIRESTOP SILICONE SEALANT IS USED ON TOP SURFACE OF FLOOR.



Hilti Firestop Systems

HILTI, Inc.
Tulsa, Oklahoma USA (800) 879-8000

Sheet	1 of 1
Scale	7/64" = 1"
Date	Jan. 06, 2015

Drawing No.

**CBJ
2011f**