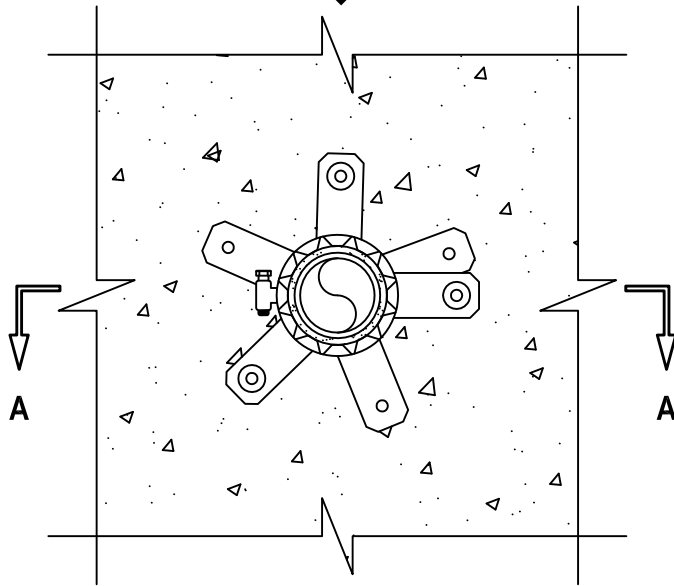


PLASTIC PIPE THROUGH CONCRETE FLOOR/WALL OR BLOCK WALL ASSEMBLY

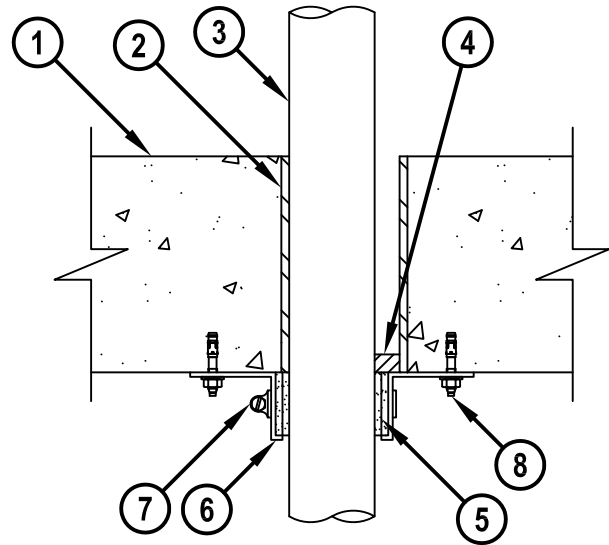
F-RATING = 4-HR.
T-RATING = 2-HR.

CBJ2016c.010615

BOTTOM VIEW



SECTION A-A



1. CONCRETE FLOOR ASSEMBLY OR WALL ASSEMBLY (4-HR. FIRE-RATING) :
 - A. LIGHTWEIGHT OR NORMAL WEIGHT CONCRETE FLOOR OR WALL (MINIMUM 6" THICK).
 - B. ANY UL CLASSIFIED CONCRETE BLOCK WALL.
2. MAXIMUM 3" NOMINAL DIAMETER STEEL PIPE SLEEVE (SCHEDULE 40).
3. MAXIMUM 2" NOMINAL DIAMETER PVDF PLASTIC PIPE (SCHEDULE 40) (CLOSED OR VENTED PIPING SYSTEM).
4. MINIMUM 1/2" DEPTH HILTI FS-ONE MAX OR FS-ONE INTUMESCENT FIRESTOP SEALANT.
5. HILTI CP 648E WRAP STRIP (NOMINAL 3/16" THICK x 1-3/4" WIDE) CONTINUOUSLY WRAPPED AROUND THE OUTER CIRCUMFERENCE OF THE PIPE, COVERING TWO TIMES, WITH ENDS BUTTED AND HELD IN PLACE WITH TAPE.
6. HILTI RETAINING COLLAR WRAPPED OVER WRAP STRIPS, OVERLAPPING MINIMUM 1".
7. NOMINAL 1/2" WIDE STAINLESS STEEL HOSE CLAMP(S) FASTENED AT MID-HEIGHT OF HILTI RETAINING COLLAR.
8. EVERY OTHER TAB OF RETAINING COLLAR SECURED TO BOTTOM OF FLOOR WITH 1/4" x 1-3/4" LONG STEEL EXPANSION BOLTS, 3/16" x 1-3/4" LONG STEEL CONCRETE SCREW ANCHORS OR 0.145 DIAMETER x 1-1/4" LONG POWDER ACTUATED FASTENERS IN CONJUNCTION WITH 1-7/16" DIAMETER STEEL WASHERS (EX. HILTI KWIK-BOLT 3, KWIK-CON OR DX PINS).

NOTES : 1. MAXIMUM DIAMETER OF OPENING = 3".
 2. ANNULAR SPACE = MINIMUM 0", MAXIMUM 5/8".
 3. HILTI CP 648E WRAP STRIP WITH RETAINING COLLAR AND FS-ONE MAX OR FS-ONE INTUMESCENT FIRESTOP SEALANT ARE REQUIRED ON EACH SIDE OF A WALL ASSEMBLY.



HILTI, Inc.
Tulsa, Oklahoma USA (800) 879-8000

Sheet	1 of 1
Scale	3/16" = 1"
Date	Jan. 06, 2015

Drawing No.
**CBJ
2016c**