

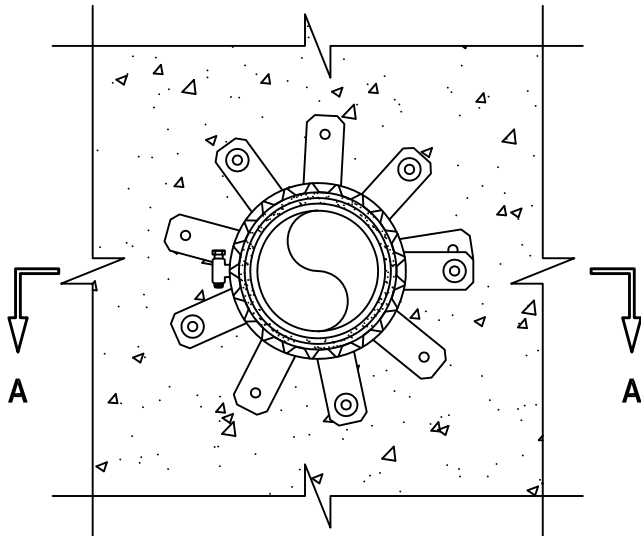
PLASTIC PIPE THROUGH CONCRETE FLOOR/WALL OR BLOCK WALL

F-RATING = 4-HR.

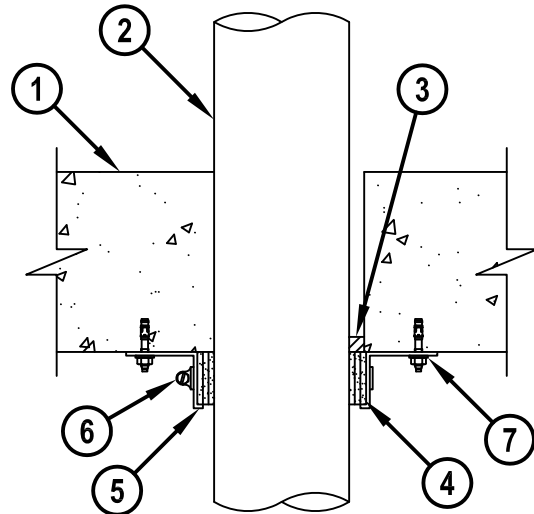
T-RATING = 4-HR.

CBJ2017d.010615

BOTTOM VIEW



SECTION A-A



1. CONCRETE FLOOR ASSEMBLY OR WALL (4-HR. FIRE-RATING) :
 - A. ANY LIGHTWEIGHT OR NORMAL WEIGHT CONCRETE FLOOR OR WALL (MINIMUM 6" THICK).
 - B. PRECAST (HOLLOW-CORE) CONCRETE FLOOR (MINIMUM 6" THICK).
 - C. ANY UL CLASSIFIED CONCRETE BLOCK WALL.
2. PENETRATING ITEM TO BE ONE OF THE FOLLOWING :
 - A. MAXIMUM 4" NOMINAL DIAMETER PVC PLASTIC PIPE (CELLULAR OR SOLID CORE).
 - B. MAXIMUM 4" NOMINAL DIAMETER CPVC PLASTIC PIPE (CLOSED PIPING SYSTEM ONLY).
3. MINIMUM 1/2" DEPTH HILTI FS-ONE MAX OR FS-ONE INTUMESCENT FIRESTOP SEALANT.
4. HILTI CP 648E WRAP STRIP (NOMINAL 3/16" THICK x 1-3/4" WIDE) CONTINUOUSLY WRAPPED AROUND THE OUTER CIRCUMFERENCE OF THE PIPE, COVERING THREE TIMES, WITH ENDS BUTTED AND HELD IN PLACE WITH TAPE.
5. HILTI RETAINING COLLAR WRAPPED OVER WRAP STRIPS, OVERLAPPING MINIMUM 1".
6. NOMINAL 1/2" WIDE STAINLESS STEEL HOSE CLAMP(S) FASTENED AT MID-HEIGHT OF HILTI RETAINING COLLAR.
7. EVERY OTHER TAB OF RETAINING COLLAR SECURED TO BOTTOM OF FLOOR WITH 1/4" x 1-3/4" LONG STEEL EXPANSION BOLTS, 3/16" x 1-3/4" LONG STEEL CONCRETE SCREW ANCHORS OR 0.145 DIAMETER x 1-1/4" LONG POWDER ACTUATED FASTENERS IN CONJUNCTION WITH 1-7/16" DIAMETER STEEL WASHERS (EX. HILTI KWIK-BOLT 3, KWIK-CON OR DX PINS).

NOTES : 1. MAXIMUM DIAMETER OF OPENING = 5".
 2. ANNULAR SPACE = MINIMUM 0", MAXIMUM 1/2".
 3. CLOSED OR VENTED PIPING SYSTEM (PVC = SCHEDULE 40; CPVC = SDR 13.5).
 4. HILTI CP 648E WRAP STRIP WITH RETAINING COLLAR AND FS-ONE MAX OR FS-ONE INTUMESCENT FIRESTOP SEALANT ARE REQUIRED ON SIDES OF A WALL ASSEMBLY.



HILTI, Inc.
 Tulsa, Oklahoma USA (800) 879-8000

Sheet	1 of 1
Scale	5/32" = 1"
Date	Jan. 06, 2015

Drawing No.

**CBJ
2017d**