

PLASTIC PIPE THROUGH PRE-CAST (HOLLOW CORE) CONCRETE FLOOR ASSEMBLY

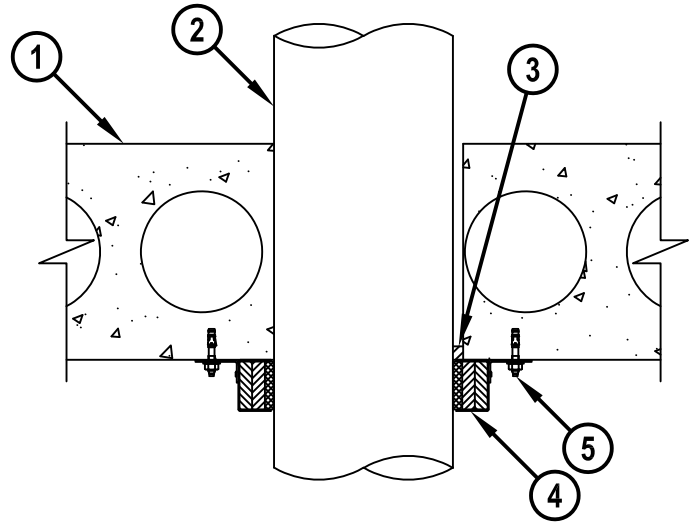
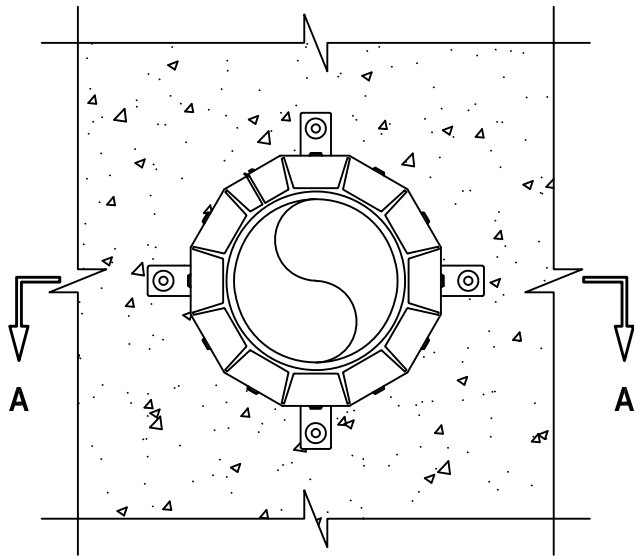
F-RATING = 2-HR.

T-RATING = 0-HR. OR 2-HR.

CBJ2021m.110916

BOTTOM VIEW

SECTION A-A



1. PRECAST (HOLLOW CORE) CONCRETE FLOOR ASSEMBLY (MINIMUM 6" THICK) (2-HR. FIRE-RATING).
2. PENETRATING ITEM TO BE ONE OF THE FOLLOWING (ALSO SEE NOTE NO. 2 BELOW) :
 - A. MAXIMUM 6" NOMINAL DIAMETER PVC PLASTIC PIPE (CELLULAR AND SOLID CORE).
 - B. MAXIMUM 6" NOMINAL DIAMETER ABS PLASTIC PIPE (CELLULAR AND SOLID CORE).
 - C. MAXIMUM 6" NOMINAL DIAMETER CPVC PLASTIC PIPE.
3. MINIMUM 1/2" DEPTH HILTI FS-ONE MAX INTUMESCENT FIRESTOP SEALANT.
4. HILTI CP 643N FIRESTOP COLLAR WITH FASTENING HOOKS (SEE TABLE BELOW).
5. EACH FASTENING HOOK SECURED TO BOTTOM OF FLOOR WITH 1/4" x 1-1/2" LONG STEEL EXPANSION BOLTS IN CONJUNCTION WITH STEEL NUTS AND MIN. 3/4" DIAMETER STEEL WASHERS (EX. HILTI KWIK-BOLT 3).

NOMINAL PIPE DIAMETER	PRODUCT DESCRIPTION	NO. OF FASTENING HOOKS
1-1/2"	CP 643 50/1.5" N	2
2"	CP 643 63/2" N	2
3"	CP 643 90/3" N	3
4"	CP 643 110/4" N	3
6"	CP 643 160/6" N	4

NOTES : 1. MAXIMUM DIAMETER OF OPENING = 7".
 2. ANNULAR SPACE = MINIMUM 0", MAXIMUM 1/2".
 3. CLOSED OR VENTED PIPING SYSTEMS (PVC, ABS = SCHEDULE 40; CPVC = SDR 17).



HILTI, Inc.
 Plano, Texas USA (800) 879-8000

Sheet	1 of 1
Scale	9/64" = 1"
Date	Nov. 09, 2016

Drawing No.

**CBJ
2021m**