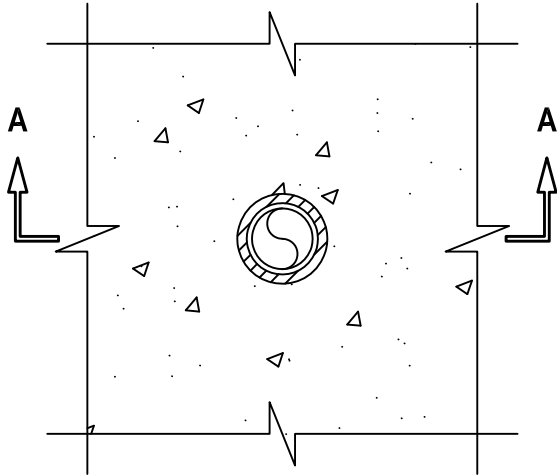


**PLASTIC PIPE THROUGH CONCRETE FLOOR/WALL OR BLOCK WALL ASSEMBLY**

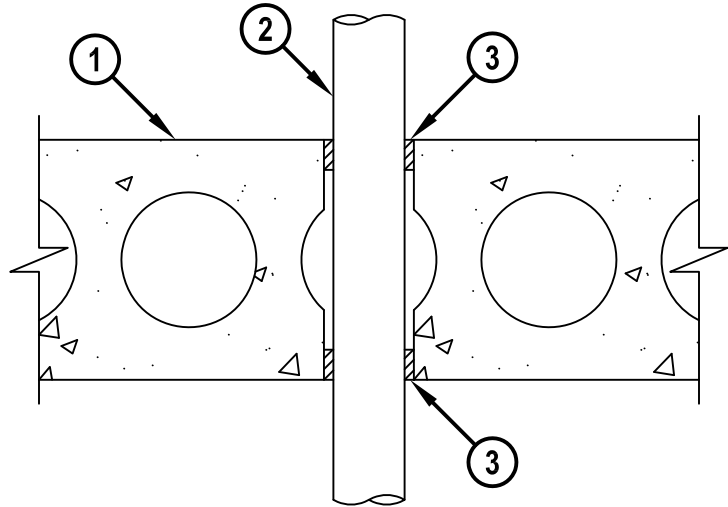
F-RATING = 3-HR.  
T-RATING = 2 3/4-HR.

CBJ2040b.010615

**TOP VIEW**



**SECTION A-A**



1. CONCRETE FLOOR OR WALL ASSEMBLY (3-HR. FIRE-RATING) :
  - A. LIGHTWEIGHT OR NORMAL WEIGHT CONCRETE FLOOR OR WALL (MINIMUM 8" THICK).
  - B. ANY UL CLASSIFIED PRECAST (HOLLOW-CORE) CONCRETE FLOOR (MINIMUM 8" THICK).
  - C. ANY UL CLASSIFIED CONCRETE BLOCK WALL.
2. PENETRATING ITEM TO BE ONE OF THE FOLLOWING :
  - A. MAXIMUM 2" NOMINAL DIAMETER CPVC PLASTIC PIPE (SDR 13.5) (CLOSED PIPING SYSTEM).
  - B. MAXIMUM 2" NOMINAL DIAMETER BLAZEMASTER CPVC PIPE (SDR 13.5) (CLOSED PIPING SYSTEM).
  - C. MAXIMUM 2" NOMINAL DIAMETER CROSS-LINKED POLYETHYLENE (PEX) TUBING (SDR 9) (CLOSED PIPING SYSTEM).
3. MINIMUM 1" DEPTH HILTI FS-ONE MAX OR FS-ONE INTUMESCENT FIRESTOP SEALANT FLUSH WITH TOP AND BOTTOM OF CONCRETE FLOOR.

**NOTES :** 1. MAXIMUM DIAMETER OF OPENING = 3".  
 2. ANNULAR SPACE = MINIMUM 1/8", MAXIMUM 1/2".  
 3. MINIMUM 1" DEPTH HILTI FS-ONE MAX OR FS-ONE INTUMESCENT FIRESTOP SEALANT IS REQUIRED ON BOTH SIDES OF A WALL.



HILTI, Inc.  
Tulsa, Oklahoma USA (800) 879-8000

Sheet	1 of 1
Scale	5/32" = 1"
Date	Jan. 06, 2015

Drawing No.  
**CBJ  
2040b**