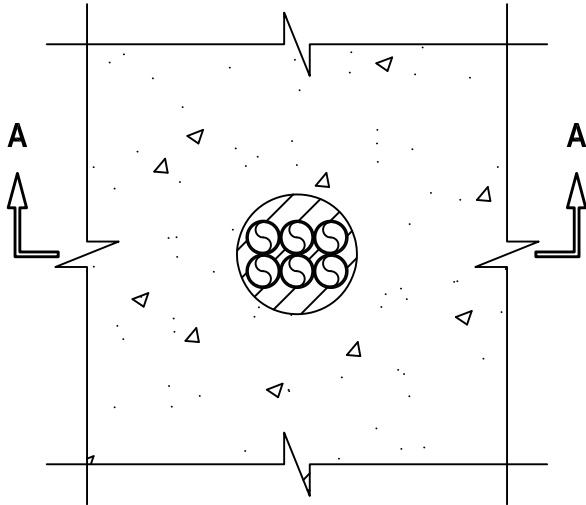


PEX LINES THROUGH CONCRETE FLOOR/WALL OR BLOCK WALL ASSEMBLY

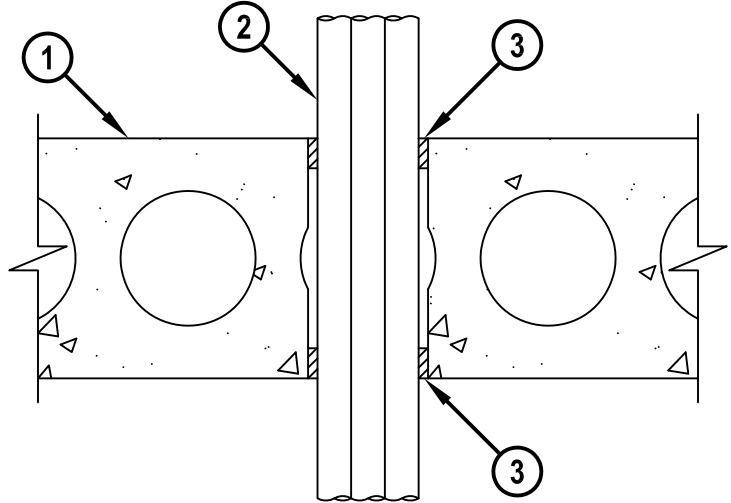
F-RATING = 3-HR.
T-RATING = 3-HR.

CBJ2041b.010615

TOP VIEW



SECTION A-A



1. CONCRETE FLOOR OR WALL ASSEMBLY (3-HR. FIRE-RATING) :
 - A. LIGHTWEIGHT OR NORMAL WEIGHT CONCRETE FLOOR OR WALL (MINIMUM 8" THICK).
 - B. ANY UL CLASSIFIED PRECAST (HOLLOW-CORE) CONCRETE FLOOR (MINIMUM 8" THICK).
 - C. ANY UL CLASSIFIED CONCRETE BLOCK WALL.
2. ONE OR MORE MAXIMUM 1" NOMINAL DIAMETER CROSS-LINKED POLYETHYLENE (PEX) TUBING (SDR 9) (CLOSED PIPING SYSTEM) (MAX. QTY. = 6).
3. MINIMUM 1" DEPTH HILTI FS-ONE MAX OR FS-ONE INTUMESCENT FIRESTOP SEALANT FLUSH WITH TOP AND BOTTOM OF CONCRETE FLOOR.

NOTES : 1. MAXIMUM DIAMETER OF OPENING = 4".
 2. ANNULAR SPACE = MINIMUM 1/4", MAXIMUM 1-1/4".
 3. MINIMUM 1" DEPTH HILTI FS-ONE MAX OR FS-ONE INTUMESCENT FIRESTOP SEALANT IS REQUIRED ON BOTH SIDES OF A WALL.



HILTI, Inc.
Tulsa, Oklahoma USA (800) 879-8000

Sheet	1 of 1
Scale	5/32" = 1"
Date	Jan. 06, 2015

Drawing No.
**CBJ
2041b**