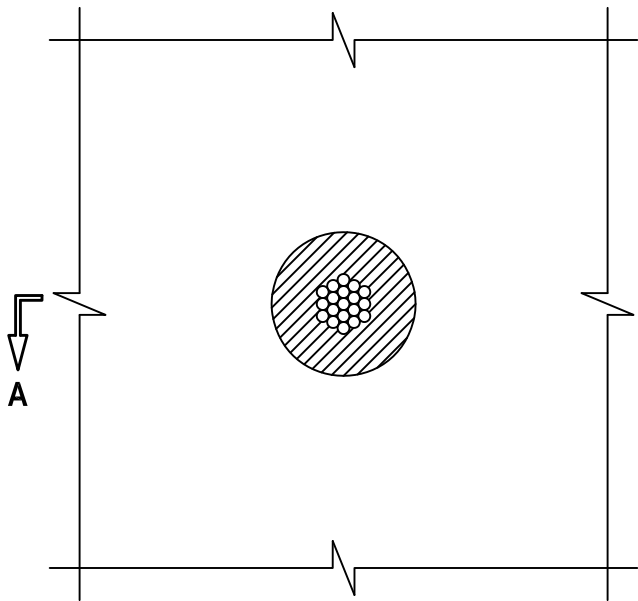


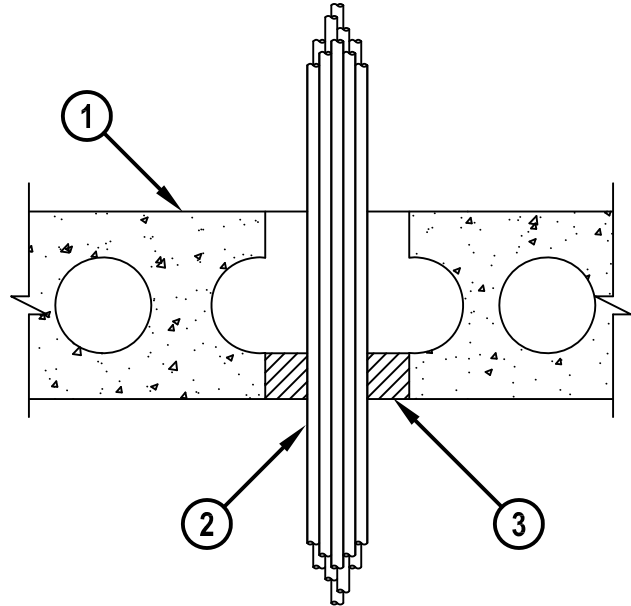
**CABLE BUNDLE THROUGH PRECAST (HOLLOW CORE)  
CONCRETE FLOOR ASSEMBLY**

F-RATING = 2-HR.  
T-RATING = 1/2-HR.

**BOTTOM VIEW**



**SECTION A-A**



CBJ3024b.010615

1. PRE-CAST (HOLLOW-CORE) CONCRETE FLOOR ASSEMBLY (MINIMUM 8" THICK) (2-HR. FIRE-RATING).
2. CABLE BUNDLE TO CONSIST OF THE FOLLOWING :
  - A. MAXIMUM 300 PAIR NO. 24 AWG TELEPHONE CABLE WITH PVC JACKET.
  - B. MAXIMUM 500 KCMIL POWER CABLE WITH PVC JACKET.
  - C. 7/C NO. 8 AWG (WITH GROUND) WITH PVC JACKET.
  - D. MAXIMUM 1/2" DIAMETER FIBER-OPTIC CABLE (MAXIMUM 24 FIBER).
  - E. MAXIMUM 3/C NO. 12 AWG METAL-CLAD CABLE.
3. MINIMUM 2" DEPTH HILTI FS-ONE MAX OR FS-ONE INTUMESCENT FIRESTOP SEALANT FLUSH WITH BOTTOM SURFACE OF FLOOR.

**NOTES :** 1. MAXIMUM DIAMETER OF OPENING = 6".  
 2. CABLES TO FILL A MAXIMUM 45% OF CROSS-SECTIONAL AREA OF OPENING.  
 3. CABLES TO BE CENTERED IN OPENING WITH ANNULAR SPACE OF MAXIMUM 1".



HILTI, Inc.  
Tulsa, Oklahoma USA (800) 879-8000

Sheet	1 of 1
Scale	1/8" = 1"
Date	Jan. 06, 2015

Drawing No.  
**CBJ  
3024b**