

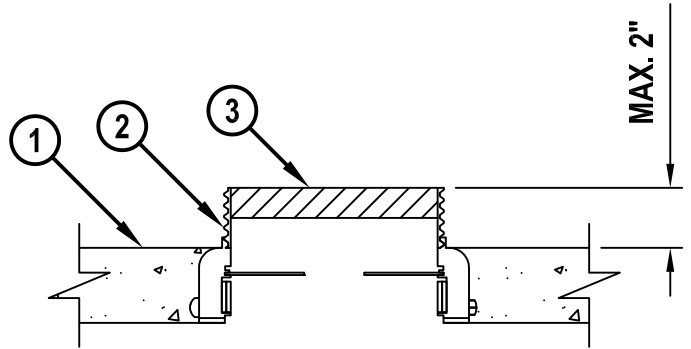
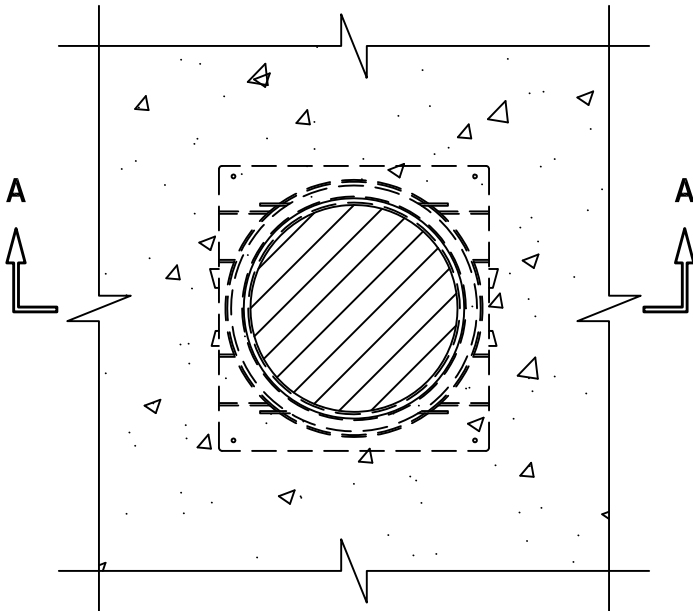
**BLANK OPENING THROUGH CONCRETE FLOOR OR CONCRETE FLOOR
OVER METAL DECKING**

F-RATING = 2-HR.
T-RATING = 1-HR.

FA0005e.070215

TOP VIEW

SECTION A-A



1. CONCRETE FLOOR ASSEMBLY (2-HR. FIRE-RATING) :
 - A. LIGHTWEIGHT OR NORMAL WEIGHT CONCRETE FLOOR (MINIMUM 2-1/2" THICK).
 - B. STEEL FLOOR UNIT/FLOOR ASSEMBLY - LIGHTWEIGHT OR NORMAL WEIGHT CONCRETE FLOOR (MINIMUM 2-1/2" THICK) OVER METAL DECKING.
2. HILTI CP 680-P [2", 3", 4" OR 6"] OR CP680-PX [2" OR 3"] CAST-IN FIRESTOP DEVICE, CAST OR GROUTED INTO CONCRETE FLOOR.
3. MINIMUM 1" DEPTH HILTI CP 618 FIRESTOP PUTTY STICK.
4. [OPTIONAL - NOT SHOWN] HILTI FIRESTOP DEVICE CAP MAY BE THREADED ONTO TOP OF FIRESTOP DEVICE.

**NOTE : FOR CONCRETE FLOOR OVER METAL DECKING APPLICATIONS,
A METAL DECK ADAPTER KIT IS REQUIRED.**



HILTI, Inc.
Tulsa, Oklahoma USA (800) 879-8000

Sheet	1 of 1
Scale	5/32" = 1"
Date	July 2, 2015

Drawing No.
**FA
0005e**