

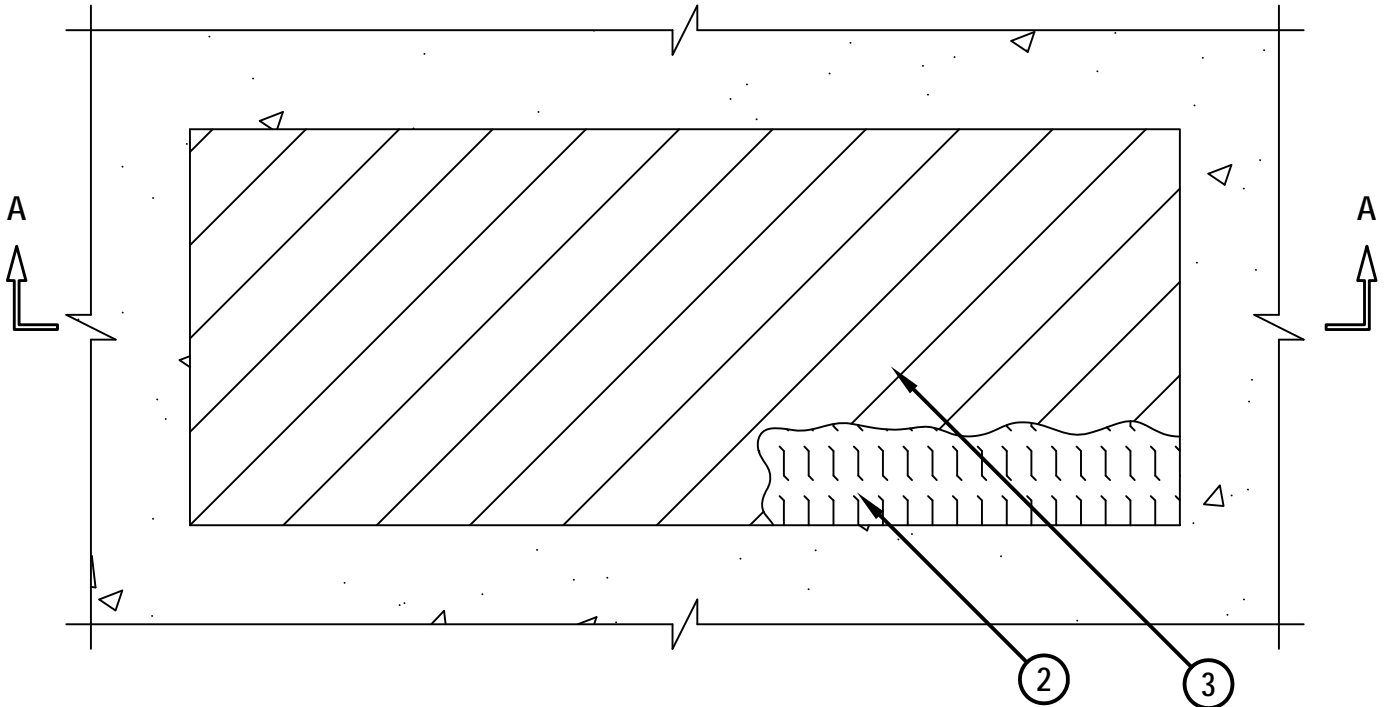
UL/cUL SYSTEM NO. F-A-0012

BLANK OPENING IN CONCRETE FLOOR ASSEMBLY

F-RATING = 3-HR.

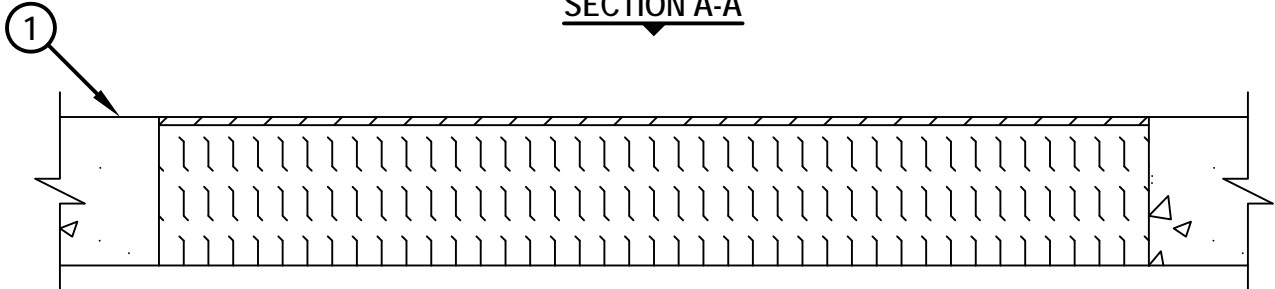
T-RATING = 2-HR.

TOP VIEW



FA0012c.021414

SECTION A-A



1. LIGHTWEIGHT OR NORMAL WEIGHT CONCRETE FLOOR (MINIMUM 4-1/2" THICK) (3-HR. FIRE-RATING).
2. MINIMUM 4-1/4" THICKNESS MINERAL WOOL (MIN. 4 PCF DENSITY) TIGHTLY PACKED.
3. MINIMUM 1/4" DEPTH HILTI CFS-S SIL SL FIRESTOP SILICONE SEALANT, HILTI CP 604 SELF-LEVELING FIRESTOP SEALANT, OR HILTI CFS-S SIL GG FIRESTOP SILICONE SEALANT.

NOTE : MAXIMUM SIZE OF OPENING = 30" x 12" (OR A MAXIMUM DIAMETER OF 12").



HILTI, Inc.
Tulsa, Oklahoma USA (800) 879-8000

Sheet	1 of 1
Scale	1 1/64" = 1"
Date	Feb. 14, 2014

Drawing No.

**FA
0012c**

Saving Lives through Innovation and Education