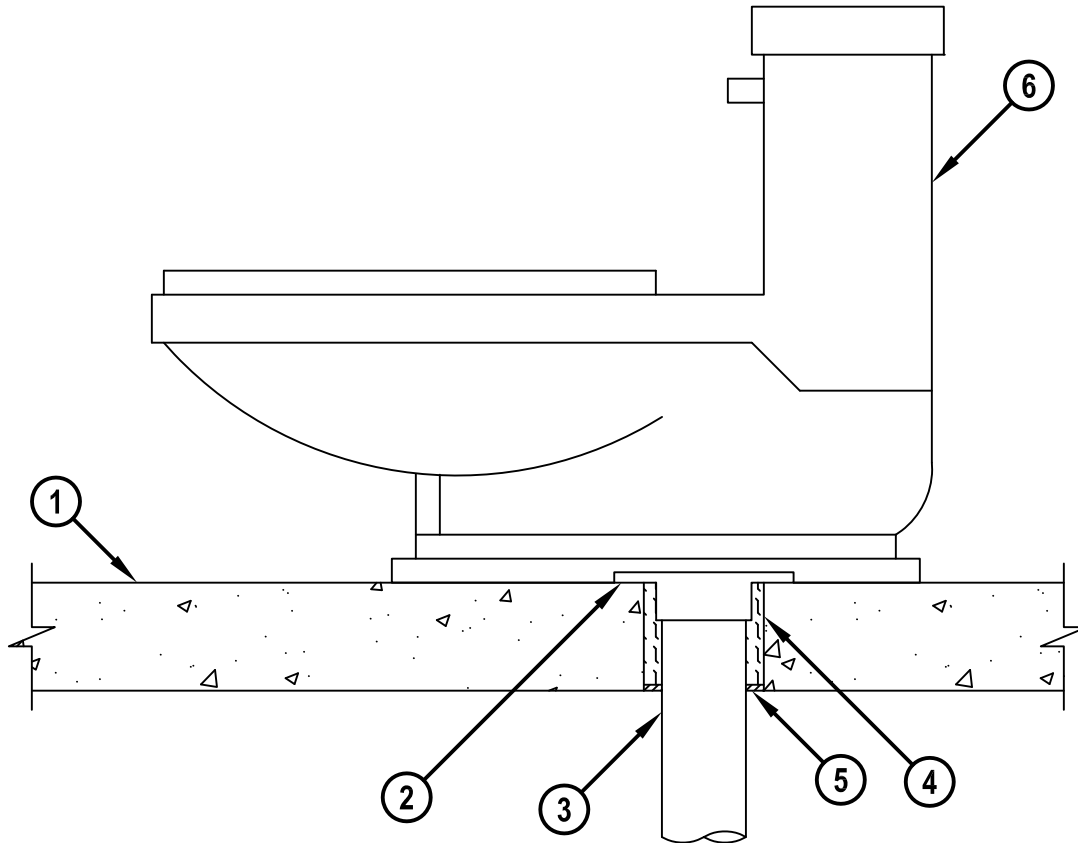


**CLOSET FLANGE AND DRAIN PIPING THROUGH CONCRETE FLOOR ASSEMBLY**

F-RATING = 2-HR.

T-RATING = 2-HR.

**CROSS-SECTIONAL VIEW**



FA1108b.010715

1. LIGHTWEIGHT OR NORMAL WEIGHT CONCRETE FLOOR ASSEMBLY (MINIMUM 4-1/2" THICK) (2-HR. FIRE-RATING).
2. CAST IRON CLOSET FLANGE SIZED TO ACCOMMODATE DRAIN PIPE AND SECURED TO CONCRETE FLOOR WITH CONCRETE ANCHORS.
3. PENETRATING ITEM TO BE ONE OF THE FOLLOWING :
  - A. NOMINAL 3" DIAMETER STEEL PIPE (SCHEDULE 10 OR HEAVIER).
  - B. NOMINAL 3" DIAMETER CAST OR DUCTILE IRON PIPE.
4. MINIMUM 4" THICKNESS MINERAL WOOL (MIN. 4 PCF DENSITY) TIGHTLY PACKED AND RECESSED FROM BOTTOM OF CONCRETE FLOOR TO ACCOMMODATE SEALANT.
5. MINIMUM 1/2" DEPTH HILTI FS-ONE MAX OR FS-ONE INTUMESCENT FIRESTOP SEALANT.
6. FLOOR MOUNTED VITREOUS CHINA WATER CLOSET.

NOTES : 1. MAXIMUM DIAMETER OF OPENING = 5".  
 2. ANNULAR SPACE = MINIMUM 3/8".



HILTI, Inc.  
 Tulsa, Oklahoma USA (800) 879-8000

Sheet	1 of 1
Scale	1/8" = 1"
Date	Jan. 07, 2015

Drawing No.  
**FA 1108b**