

UL SYSTEM NO. F-A-2053

**PLASTIC PIPE THROUGH CONCRETE FLOOR OR CONCRETE OVER METAL DECKING**

F-RATING = 2-HR.

T-RATING = 0-HR.

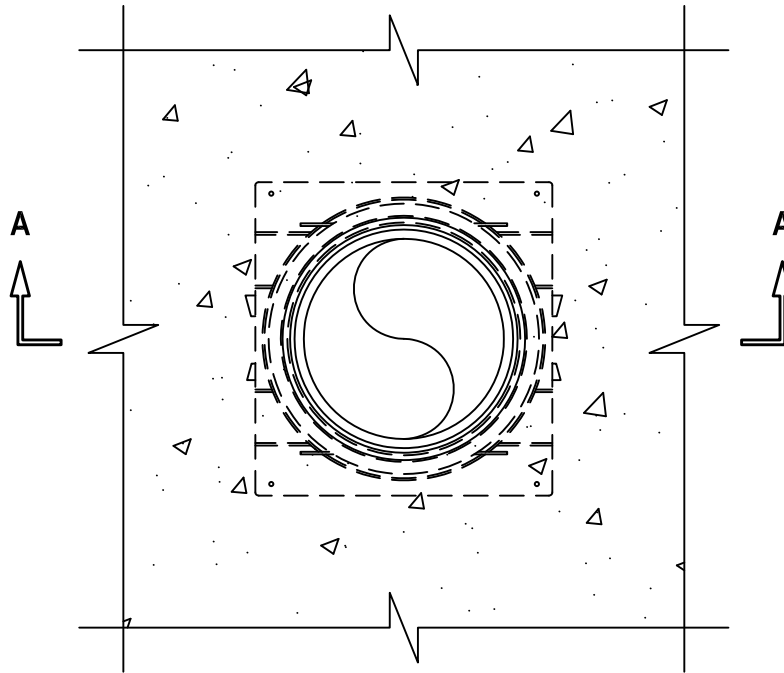
L-RATING AT AMBIENT = LESS THAN 1 CFM/SQ. FT.

L-RATING AT 400°F = LESS THAN 1 CFM/SQ. FT.

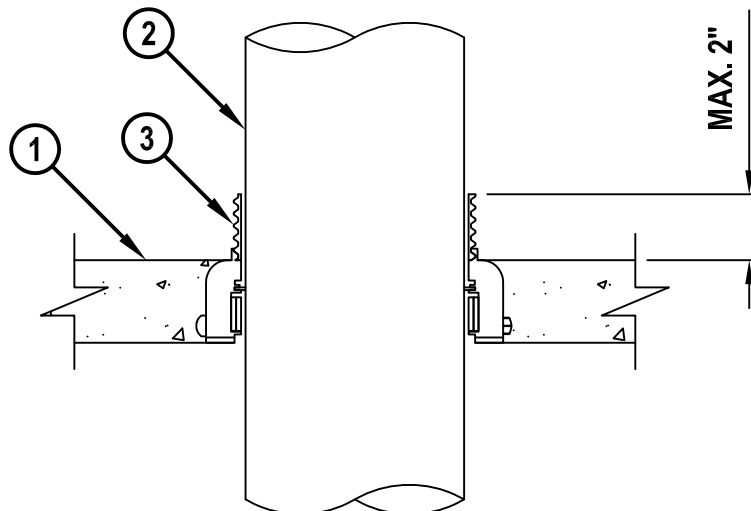
W-RATING = CLASS I (SEE NOTES NO. 3 AND 4 BELOW)

FA2053k.070215

**TOP VIEW**



**SECTION A-A**



HILTI, Inc.  
Tulsa, Oklahoma USA (800) 879-8000

|       |              |
|-------|--------------|
| Sheet | 1 of 2       |
| Scale | 11/64" = 1"  |
| Date  | July 2, 2015 |

Drawing No.

**FA  
2053k**

*Saving Lives through Innovation and Education*

**PLASTIC PIPE THROUGH CONCRETE FLOOR OR CONCRETE OVER METAL DECKING**

F-RATING = 2-HR.

T-RATING = 0-HR.

L-RATING AT AMBIENT = LESS THAN 1 CFM/SQ. FT.

L-RATING AT 400°F = LESS THAN 1 CFM/SQ. FT.

W-RATING = CLASS I (SEE NOTES NO. 3 AND 4 BELOW)

FA2053k.070215

1. CONCRETE FLOOR ASSEMBLY (2-HR. FIRE-RATING) :
  - A. LIGHTWEIGHT OR NORMAL WEIGHT CONCRETE FLOOR (MINIMUM 2-1/2" THICK).
  - B. STEEL FLOOR UNIT/FLOOR ASSEMBLY - LIGHTWEIGHT OR NORMAL WEIGHT CONCRETE FLOOR (MINIMUM 2-1/2" THICK) OVER METAL DECKING.
2. PENETRATING ITEM TO BE ONE OF THE FOLLOWING (SEE TABLE BELOW) :
  - A. MAXIMUM 6" NOMINAL DIAMETER PVC PLASTIC PIPE (CELLULAR AND SOLID CORE).
  - B. MAXIMUM 6" NOMINAL DIAMETER CPVC PLASTIC PIPE (CLOSED PIPING SYSTEM ONLY).
  - C. MAXIMUM 6" NOMINAL DIAMETER RIGID NON-METALLIC CONDUIT (RNC).
3. HILTI CP 680-P OR CP 680-PX CAST-IN FIRESTOP DEVICE, CAST OR GROUTED INTO CONCRETE FLOOR (SEE TABLE BELOW).
4. [NOT SHOWN] HILTI IPS OR CPS TOP SEAL PLUG INSTALLED FLUSH WITH TOP SIDE OF DEVICE AROUND NOMINAL PIPE SIZES 1/2" TO 1-1/2". TOP SEALS ARE OPTIONAL ON 1-1/2" DIAMETER PIPES.

| NOMINAL PIPE DIAMETER | PRODUCT DESCRIPTION         | MAXIMUM EXTENSION OF DEVICE ABOVE FLOOR |
|-----------------------|-----------------------------|---|
| 3/4" TO 2"            | CP 680-P 2" OR CP 680-PX 2" | NOT RESTRICTED                          |
| 3"                    | CP 680-P 3" OR CP 680-PX 3" | 2"                                      |
| 3" TO 4"              | CP 680-P 4"                 | 2"                                      |
| 6"                    | CP 680-P 6"                 | 2"                                      |

- NOTES :**
1. CLOSED OR VENTED PIPING SYSTEMS (PVC, RNC = SCH 40; CPVC = SDR 11 OR SDR 13.5).
  2. FOR CONCRETE FLOOR OVER METAL DECKING APPLICATIONS, A METAL DECK ADAPTER KIT IS REQUIRED.
  3. W-RATING FOR TOP SEAL ONLY APPLIES TO THE IPS TOP SEAL PLUG AND 2" PIPES, AND TO CPS TOP SEAL PLUGS WITH 1/2" TO 2" PIPES.
  4. WATER BARRIER MODULE MAY BE THREADED ON TOP OF CAST-IN FIRESTOP DEVICE FOR NOMINAL 2", 3", 4", AND 6" PLASTIC PIPES (LISTED ABOVE). W-RATING WITH WATER BARRIER MODULE ONLY APPLIES WHEN DIAMETER OF PIPE EQUALS SIZE OF MODULE AND WHEN PIPE IS INSTALLED FROM BOTTOM OF DEVICE.
  5. L-RATING APPLIES ONLY WHEN DIAMETER OF PIPE EQUALS SIZE OF DEVICE (3" PIPE IN 3" DEVICE, ETC.).



HILTI, Inc.  
Tulsa, Oklahoma USA (800) 879-8000

|       |              |
|-------|--------------|
| Sheet | 2 of 2       |
| Scale | -            |
| Date  | July 2, 2015 |

Drawing No.  
**FA  
2053k**