

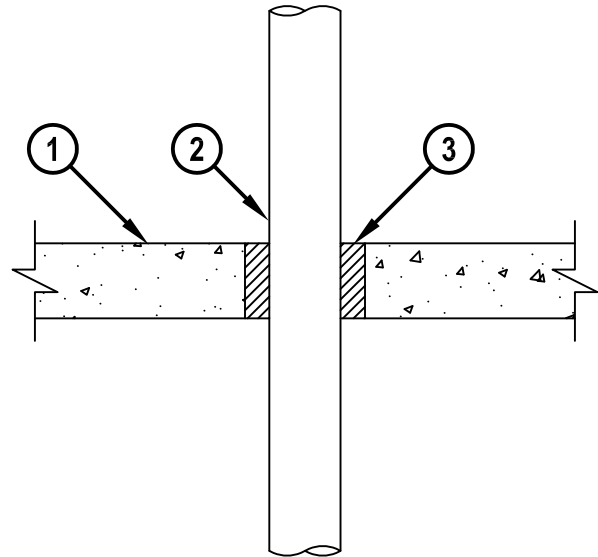
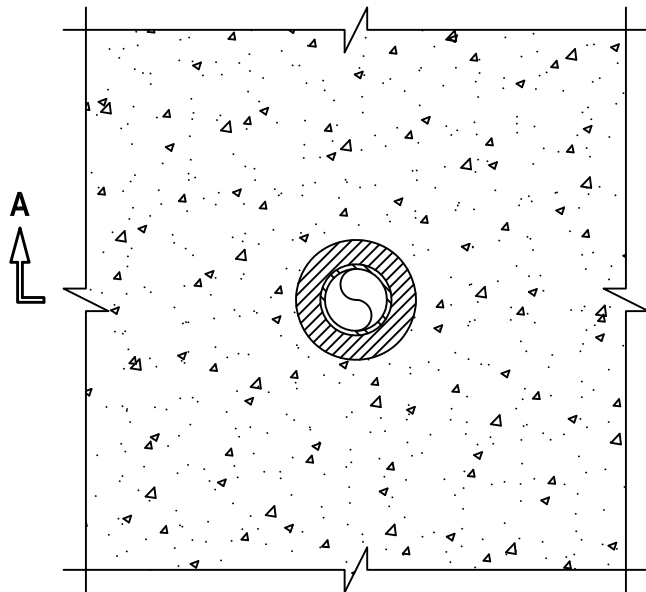
UL SYSTEM NO. F-A-2058
**PLASTIC PIPE THROUGH CONCRETE FLOOR OR CONCRETE FLOOR
OVER METAL DECKING**

F-RATING = 2-HR.
T-RATING = 0-HR.

FA2058c.010715

TOP VIEW

SECTION A-A



1. CONCRETE FLOOR ASSEMBLY (2-HR. FIRE-RATING) :
 - A. LIGHTWEIGHT OR NORMAL WEIGHT CONCRETE FLOOR (MINIMUM 2-1/2" THICK).
 - B. STEEL FLOOR UNIT/FLOOR ASSEMBLY - LIGHTWEIGHT OR NORMAL WEIGHT CONCRETE FLOOR (MINIMUM 2-1/2") OVER METAL DECKING.
2. PENETRATING ITEM TO BE ONE OF THE FOLLOWING :
 - A. MAXIMUM 2" NOMINAL DIAMETER PVC PLASTIC PIPE (CELLULAR OR SOLID CORE).
 - B. MAXIMUM 2" NOMINAL DIAMETER CPVC PLASTIC PIPE .
3. MINIMUM 2-1/2" DEPTH HILTI FS-ONE MAX OR FS-ONE INTUMESCENT FIRESTOP SEALANT.

NOTES : 1. MAXIMUM DIAMETER OF OPENING = 4".
2. ANNULAR SPACE = MINIMUM 3/8", MAXIMUM 1".
3. CLOSED OR VENTED PIPING SYSTEM (PVC = SCHEDULE 40; CPVC = SDR 17).



HILTI, Inc.
Tulsa, Oklahoma USA (800) 879-8000

Sheet	1 of 1
Scale	5/32" = 1"
Date	Jan. 07, 2015

Drawing No.

FA
2058c

Saving Lives through Innovation and Education