

UL SYSTEM NO. F-A-2066

PLASTIC PIPE THROUGH CONCRETE FLOOR/CONCRETE OVER METAL DECKING

F-RATING = 3-HR.

T-RATING = 0-HR.

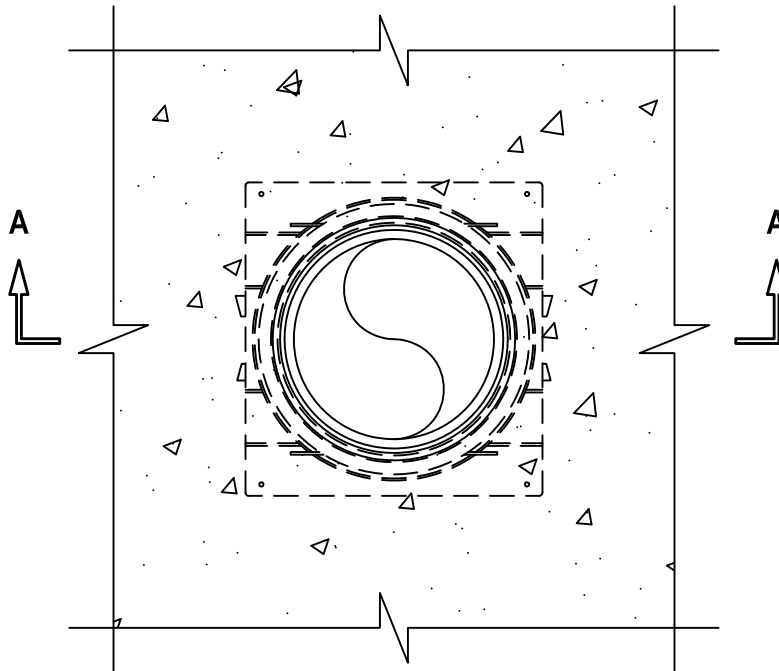
L-RATING AT AMBIENT = LESS THAN 1 CFM / SQ FT

L-RATING AT 400°F = LESS THAN 1 CFM / SQ FT

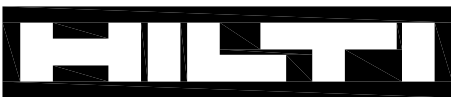
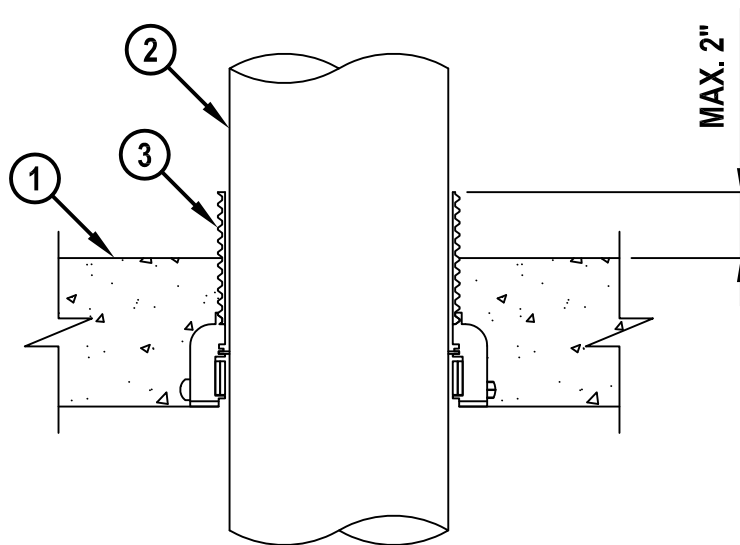
W-RATING = CLASS I (SEE NOTE NO. 4 BELOW)

FA2066h.071815

TOP VIEW



SECTION A-A



Hilti Firestop Systems

HILTI, Inc.
Tulsa, Oklahoma USA (800) 879-8000

Sheet	1 of 2
Scale	1 1/64" = 1"
Date	July 18, 2015

Drawing No.

**FA
2066h**

Saving Lives through Innovation and Education

PLASTIC PIPE THROUGH CONCRETE FLOOR/CONCRETE OVER METAL DECKING

F-RATING = 3-HR.

T-RATING = 0-HR.

L-RATING AT AMBIENT = LESS THAN 1 CFM / SQ FT

L-RATING AT 400°F = LESS THAN 1 CFM / SQ FT

W-RATING = CLASS I (SEE NOTE NO. 4 BELOW)

FA2066h.071815

1. CONCRETE FLOOR ASSEMBLY (3-HR. FIRE-RATING) :
 - A. LIGHTWEIGHT OR NORMAL WEIGHT CONCRETE FLOOR (MINIMUM 4-1/2" THICK).
 - B. STEEL FLOOR UNIT/FLOOR ASSEMBLY - LIGHTWEIGHT OR NORMAL WEIGHT CONCRETE FLOOR (MINIMUM 4-1/2" THICK) OVER METAL DECKING.
2. PENETRATING ITEM TO BE ONE OF THE FOLLOWING (SEE TABLE BELOW) :
 - A. MAXIMUM 4" NOMINAL DIAMETER ABS PLASTIC PIPE (CELLULAR AND SOLID CORE).
 - B. MAXIMUM 6" NOMINAL DIAMETER FRPP PLASTIC PIPE.
3. HILTI CP 680-P OR CP 680-PX CAST-IN FIRESTOP DEVICE CAST OR GROUTED INTO CONCRETE FLOOR (SEE TABLE BELOW).

NOMINAL PIPE DIAMETER	PRODUCT DESCRIPTION
2"	CP 680-P 2" OR CP 680-PX 2"
3"	CP 680-P 3" OR CP 680-PX 3"
3" TO 4"	CP 680-P 4"
6"	CP 680-P 6"

- NOTES :**
1. CLOSED OR VENTED PIPING SYSTEMS (ABS, FRPP = SCH 40).
 2. FOR CONCRETE FLOOR OVER METAL DECKING APPLICATIONS, A METAL DECK ADAPTER KIT IS REQUIRED.
 3. TOP SEAL PLUGS MAY BE INSTALLED WITHIN CP 680-P 2" OR CP 680-PX DEVICE ON PIPES 1-1/2" TO 2" DIAMETER. W-RATING APPLIED ONLY TO IPS TOP SEAL PLUG WITH 2" DIAMETER PIPES.
 4. WATER BARRIER MODULES MAY BE THREADED ON TOP OF CAST-IN FIRESTOP DEVICES FOR NOMINAL 2", 3", 4", AND 6" PLASTIC PIPES (LISTED ABOVE). W-RATING ONLY APPLIES WHEN WATER BARRIER MODULE IS USED WITH CORRECT SIZE PIPE AND DEVICE AND WHEN PIPE IS INSTALLED FROM BOTTOM OF DEVICE.
 5. L-RATING ONLY APPLIED WHEN DIAMETER OF PIPE EQUALS SIZE OF DEVICE (2" PIPE IN 2" DEVICE, ETC.).



Hilti Firestop Systems

HILTI, Inc.
Tulsa, Oklahoma USA (800) 879-8000

Sheet	2 of 2
Scale	-
Date	July 18, 2015

Drawing No.

**FA
2066h**