

UL SYSTEM NO. F-A-2072

CLOSET FLANGE AND DRAIN PIPING THROUGH CONCRETE FLOOR OR CONCRETE OVER METAL DECKING

F-RATING = 3-HR.

T-RATING = 0-HR.

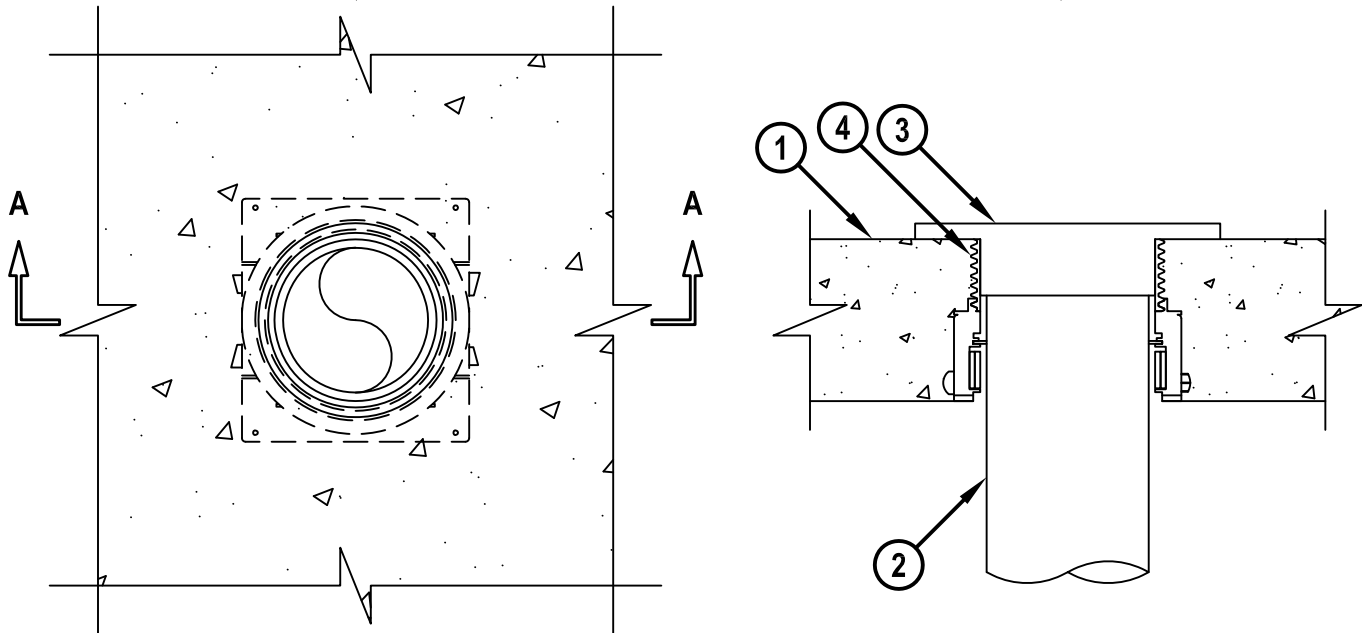
L-RATING AT AMBIENT = LESS THAN 1 CFM/SQ. FT.

L-RATING AT 400°F = LESS THAN 1 CFM/SQ. FT.

FA2072f.070815

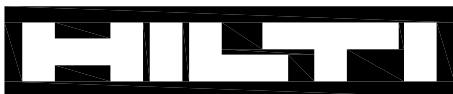
TOP VIEW

SECTION A-A



1. CONCRETE FLOOR ASSEMBLY (3-HR. FIRE-RATING) :
 - A. LIGHTWEIGHT OR NORMAL WEIGHT CONCRETE FLOOR (MINIMUM 4-1/2" THICK).
 - B. STEEL FLOOR UNIT/FLOOR ASSEMBLY - LIGHTWEIGHT OR NORMAL WEIGHT CONCRETE FLOOR (MINIMUM 4-1/2" THICK) OVER METAL DECKING.
2. DRAIN PIPING AND FITTINGS TO BE ONE OF THE FOLLOWING :
 - A. NOMINAL 3" OR 4" DIAMETER PVC PLASTIC PIPE (CELLULAR OR SOLID CORE).
 - B. NOMINAL 3" OR 4" DIAMETER ABS PLASTIC PIPE (CELLULAR OR SOLID CORE).
3. PVC OR ABS CLOSET FLANGE SIZED TO ACCOMMODATE DRAIN PIPE. CLOSET FLANGE SECURED TO CONCRETE FLOOR WITH STEEL SCREWS.
4. HILTI CP 680-P [3" OR 4"] OR CP 680-PX [3"] CAST-IN FIRESTOP DEVICE, CAST OR GROUTED INTO CONCRETE FLOOR.
5. [NOT SHOWN] FLOOR MOUNTED VITREOUS CHINA WATER CLOSET.

NOTES : 1. PVC AND ABS PLASTIC PIPE = SCHEDULE 40.
2. FOR CONCRETE FLOOR OVER METAL DECKING APPLICATIONS, A METAL DECK ADAPTER KIT IS REQUIRED.
3. L-RATING ONLY APPLIED WHEN DIAMETER OF PIPE EQUALS SIZE OF DEVICE (3" PIPE IN 3" DEVICE, ETC.).



Hilti Firestop Systems

HILTI, Inc.
Tulsa, Oklahoma USA (800) 879-8000

Sheet	1 of 1
Scale	3/16" = 1"
Date	July 8, 2015

Drawing No.

**FA
2072f**

Saving Lives through Innovation and Education