

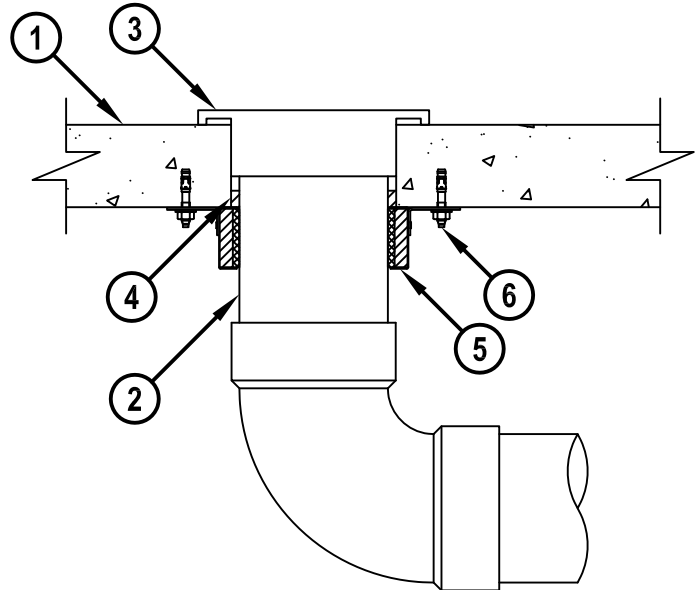
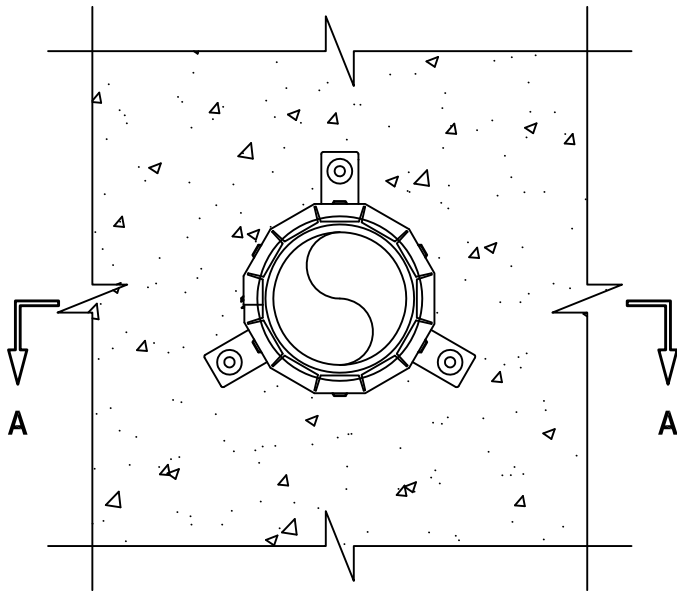
CLOSET FLANGE AND DRAIN PIPING THROUGH CONCRETE FLOOR ASSEMBLY

F-RATING = 2-HR.
T-RATING = 0-HR.

FA2074e.010715

BOTTOM VIEW

SECTION A-A



1. LIGHTWEIGHT OR NORMAL WEIGHT CONCRETE FLOOR ASSEMBLY (MINIMUM 2-1/2" THICK) (2-HR. FIRE-RATING).
2. NOMINAL 4" DIAMETER ABS PLASTIC DRAIN PIPE (SCHEDULE 40) (VENTED PIPING SYSTEM).
3. ABS CLOSET FLANGE SIZED TO ACCOMMODATE DRAIN PIPE. CLOSET FLANGE SECURED TO CONCRETE FLOOR WITH STEEL SCREWS.
4. MINIMUM 1/2" DEPTH HILTI FS-ONE MAX OR FS-ONE INTUMESCENT FIRESTOP SEALANT.
5. HILTI CP 643 110/4" N FIRESTOP COLLAR WITH FASTENING HOOKS.
6. EACH FASTENING HOOK SECURED TO BOTTOM OF FLOOR WITH 1/4" x 1-1/4" LONG STEEL EXPANSION BOLTS, MIN. 0.145" x 1-1/4" POWDER ACTUATED FASTENERS WITH 1-7/16" DIAMETER STEEL WASHER, 1/4" x 1-1/4" HILTI KWIK-CON II+ CONCRETE SCREW ANCHOR, 1/4" x 1-3/4" HILTI KWIK-BOLT 3 STEEL EXPANSION ANCHOR, OR HILTI X-DNI 27 P8 S15 POWDER ACTUATED FASTENER WITH INTEGRATED WASHER.

NOTES : 1. MAXIMUM DIAMETER OF OPENING = 5".
2. ANNULAR SPACE = NOMINAL 1/4".



HILTI, Inc.
Tulsa, Oklahoma USA (800) 879-8000

Sheet	1 of 1
Scale	11/64" = 1"
Date	Jan. 07, 2015

Drawing No.

**FA
2074e**