

UL SYSTEM NO. F-A-2092

PLASTIC PIPE THROUGH CONCRETE FLOOR OR CONCRETE OVER METAL DECKING

F-RATING = 2-HR.

T-RATING = 0-HR. OR 2-HR.

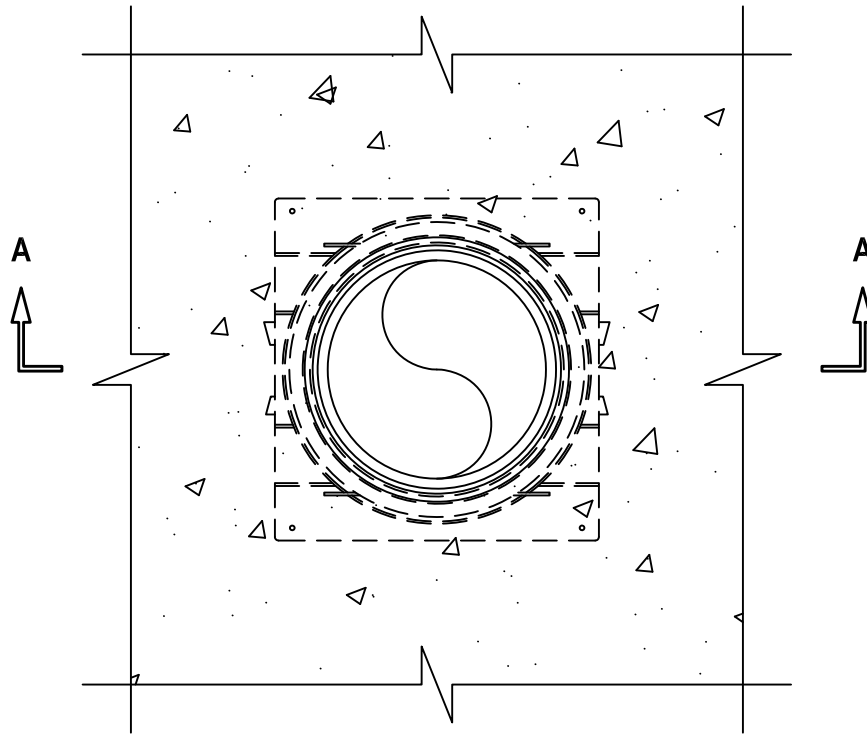
L-RATING AT AMBIENT = LESS THAN 1 CFM / SQ FT

L-RATING AT 400°F = LESS THAN 1 CFM / SQ FT

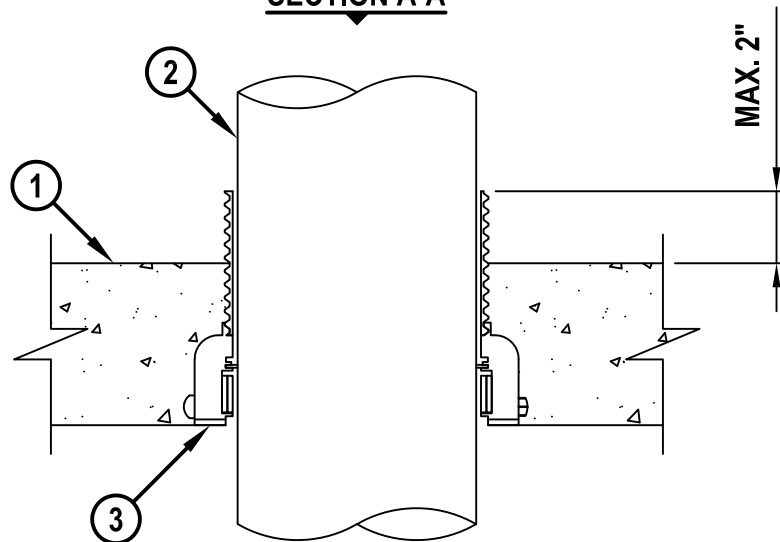
W-RATING = CLASS I (SEE NOTES NO. 4 AND 5 BELOW)

FA2092m.041818

TOP VIEW



SECTION A-A



HILTI, Inc.
Plano, Texas USA (800) 879-8000

Sheet 1 of 2
Scale 3/16" = 1"
Date Apr. 18, 2018

Drawing No.
FA
2092m

Saving Lives through Innovation and Education

PLASTIC PIPE THROUGH CONCRETE FLOOR OR CONCRETE OVER METAL DECKING

F-RATING = 2-HR.

T-RATING = 0-HR. OR 2-HR.

L-RATING AT AMBIENT = LESS THAN 1 CFM / SQ FT

L-RATING AT 400°F = LESS THAN 1 CFM / SQ FT

W-RATING = CLASS I (SEE NOTES NO. 4 AND 5 BELOW)

FA2092m.041818

1. CONCRETE FLOOR ASSEMBLY (2-HR. FIRE-RATING) :
 - A. LIGHTWEIGHT OR NORMAL WEIGHT CONCRETE FLOOR (MINIMUM 4-1/2" THICK).
 - B. STEEL FLOOR UNIT/FLOOR ASSEMBLY - LIGHTWEIGHT OR NORMAL WEIGHT CONCRETE FLOOR (MINIMUM 4-1/2" THICK) OVER METAL DECKING.
2. PENETRATING ITEM TO BE ONE OF THE FOLLOWING (SEE TABLE BELOW) :
 - A. MAXIMUM 6" NOMINAL DIAMETER PVC PLASTIC PIPE (CELLULAR AND SOLID CORE).
 - B. MAXIMUM 6" NOMINAL DIAMETER CPVC PLASTIC PIPE (CLOSED PIPING SYSTEM ONLY).
3. HILTI CP 680-P OR CP 680-PX CAST-IN FIRESTOP DEVICE, CAST OR GROUTED INTO CONCRETE FLOOR (SEE TABLE BELOW).

NOMINAL PIPE DIAMETER	PRODUCT DESCRIPTION	T-RATING - HR.
1/2" TO 2"	CP 680-P 2" OR CP 680-PX 2"	2
3"	CP 680-P 3" OR CP 680-PX 3"	2
3"	CP 680-P 4"	0
4"	CP 680-P 4"	2
6"	CP 680-P 6"	0

- NOTES :**
1. CLOSED OR VENTED PIPING SYSTEMS (PVC = SCHEDULE 40; CPVC = SDR 17).
 2. FOR CONCRETE FLOOR OVER METAL DECKING APPLICATIONS, A METAL DECK ADAPTER KIT IS REQUIRED.
 3. WHEN PIPE DIAMETER IS SMALLER THAN INDICATED ABOVE, MINIMUM 4" THICKNESS MINERAL WOOL (MIN. 4 PCF DENSITY) SHALL BE TIGHTLY PACKED INTO HILTI CP 680-P OR HILTI CP 680-PX, FLUSH WITH TOP SURFACE OF DEVICE.
 4. AS AN ALTERNATE TO NOTE NO. 3 ABOVE, HILTI IPS OR CPS TOP SEAL MAY BE USED ON 1/2" TO 2" NOMINAL DIAMETER PIPES IN CONJUNCTION WITH HILTI 2" CAST-IN FIRESTOP DEVICES. W-RATING APPLIED ONLY TO 2" PIPES IN CONJUNCTION WITH CORRESPONDING IPS TOP SEAL PLUG AND 1/2" TO 2" PIPES IN CONJUNCTION WITH CORRESPONDING CPS TOP SEAL PLUG.
 5. WATER BARRIER MODULES MAY BE THREADED ON TOP OF CAST-IN DEVICES FOR NOMINAL 2", 3", 4", AND 6" PLASTIC PIPES (LISTED ABOVE). W-RATING WITH WATER BARRIER MODULE ONLY APPLIES WHEN DIAMETER OF PIPE EQUALS SIZE OF MODULE AND WHEN PIPE IS INSTALLED FROM BOTTOM OF DEVICE.
 6. L-RATING APPLIES ONLY WHEN DIAMETER OF PIPE EQUALS SIZE OF DEVICE (3" PIPE IN 3" DEVICE, ETC.).



HILTI, Inc.
Plano, Texas USA (800) 879-8000

Sheet	2 of 2
Scale	-
Date	Apr. 18, 2018

Drawing No.

**FA
2092m**