

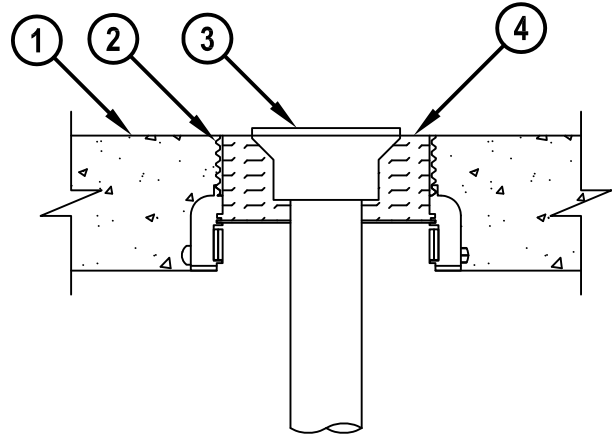
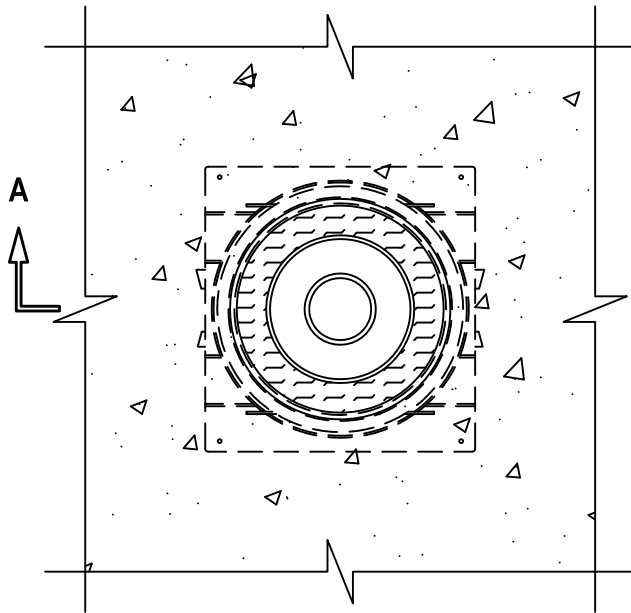
UL SYSTEM NO. F-A-2093
PVC SHOWER DRAIN THROUGH CONCRETE FLOOR
OR CONCRETE OVER METAL DECKING

F-RATING = 2-HR.
T-RATING = 0-HR.

FA2093e.070815

TOP VIEW

SECTION A-A



1. CONCRETE FLOOR ASSEMBLY (2-HR. FIRE-RATING) :
 - A. LIGHTWEIGHT OR NORMAL WEIGHT CONCRETE FLOOR (MINIMUM 4-1/2" THICK).
 - B. STEEL FLOOR UNIT/FLOOR ASSEMBLY - LIGHTWEIGHT NORMAL WEIGHT CONCRETE FLOOR (MINIMUM 4-1/2" THICK) OVER METAL DECKING.
2. HILTI CP 680-P [2", 3", 4" OR 6"] OR CP 680-PX [2" OR 3"] CAST-IN FIRESTOP DEVICE, CAST OR GROUTED INTO CONCRETE FLOOR.
3. MAXIMUM 2" NOMINAL DIAMETER PVC PLASTIC PIPE (SCHEDULE 40) (CELLULAR OR SOLID CORE) WITH SHOWER DRAIN FITTING.
4. MINERAL WOOL (MINIMUM 4 PCF DENSITY) TIGHTLY PACKED INTO THE DEVICE FLUSH WITH TOP SURFACE OF THE FLOOR. MINERAL WOOL IS OPTIONAL WHEN HILTI CP 680-P 2" OR CP 680-PX 2" CAST-IN FIRESTOP DEVICE IS USED.

**NOTE : FOR CONCRETE FLOOR OVER METAL DECKING APPLICATIONS,
A METAL DECK ADAPTER KIT IS REQUIRED.**



HILTI, Inc.
Tulsa, Oklahoma USA (800) 879-8000

Sheet	1 of 1
Scale	5/32" = 1"
Date	July 8, 2015

Drawing No.
FA
2093e