

UL SYSTEM NO. F-A-2103

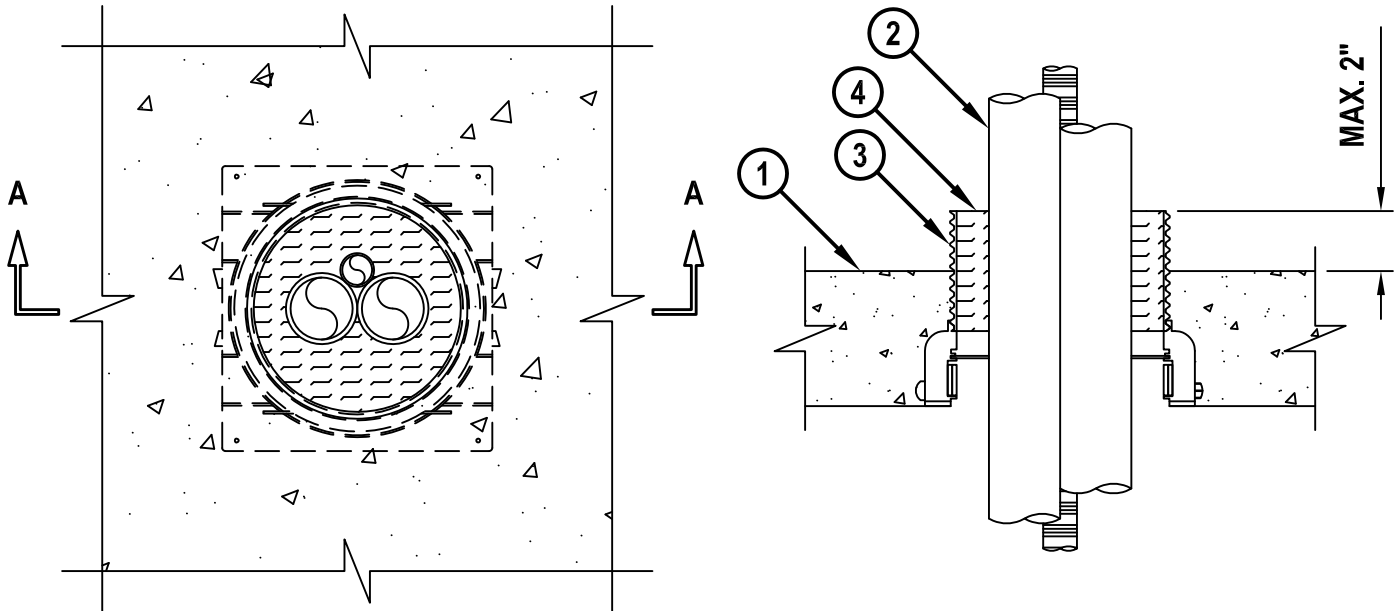
**MULTIPLE NONMETALLIC PIPES THROUGH CONCRETE FLOOR  
OR CONCRETE OVER METAL DECKING**

F-RATING = 2-HR.  
T-RATING = 0-HR.

FA2103e.070815

**TOP VIEW**

**SECTION A-A**



1. CONCRETE FLOOR ASSEMBLY (2-HR. FIRE-RATING) :
  - A. LIGHTWEIGHT OR NORMAL WEIGHT CONCRETE FLOOR (MINIMUM 4-1/2" THICK).
  - B. STEEL FLOOR UNIT/FLOOR ASSEMBLY - LIGHTWEIGHT OR NORMAL WEIGHT CONCRETE FLOOR (MINIMUM 4-1/2" THICK) OVER METAL DECKING.
2. NONMETALLIC PIPE OR CONDUIT BUNDLE TO CONSIST OF ANY OF THE FOLLOWING (MAX. QTY. = 3) :
  - A. MAXIMUM 2" NOMINAL DIAMETER PVC PLASTIC PIPE (CELLULAR AND SOLID CORE) (CLOSED OR VENTED PIPING SYSTEM).
  - B. MAXIMUM 2" NOMINAL DIAMETER CPVC PLASTIC PIPE (CLOSED PIPING SYSTEM ONLY).
  - C. MAXIMUM 1" NOMINAL DIAMETER ELECTRICAL NONMETALLIC TUBING (ENT).
3. HILTI CP 680-P [2", 3", 4" OR 6"] OR CP 680-PX [2" OR 3"] CAST-IN FIRESTOP DEVICE, CAST OR GROUTED INTO CONCRETE FLOOR.
4. MINIMUM 4" THICKNESS MINERAL WOOL (MINIMUM 4 PCF DENSITY) TIGHTLY PACKED INTO DEVICE, COMPLETELY FILLING ANNULAR SPACE AROUND NONMETALLIC PIPES OR CONDUITS.

NOTES : 1. PVC PLASTIC PIPE = SCH 40; CPVC PLASTIC PIPE = SDR 13.5.  
2. FOR CONCRETE FLOOR OVER METAL DECKING APPLICATIONS,  
A METAL DECK ADAPTER KIT IS REQUIRED.



HILTI, Inc.  
Tulsa, Oklahoma USA (800) 879-8000

Sheet	1 of 1
Scale	5/32" = 1"
Date	July 8, 2015

Drawing No.  
**FA  
2103e**

*Saving Lives through Innovation and Education*