

UL SYSTEM NO. F-A-2141

PLASTIC PIPE THROUGH CONCRETE FLOOR OR CONCRETE OVER METAL DECKING

F-RATING = 2-HR.

T-RATING = 0-HR. OR 2-HR.

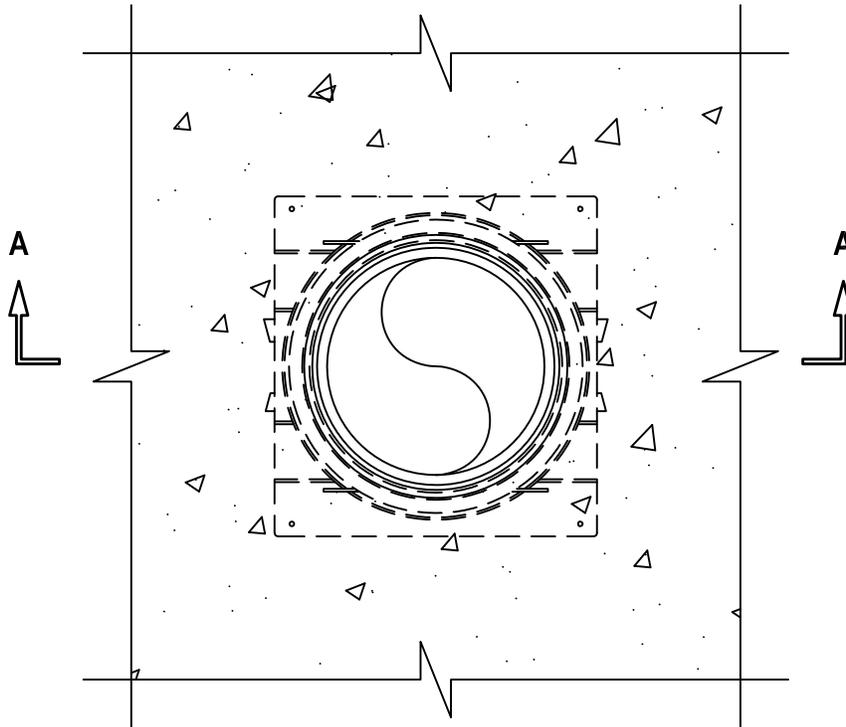
L-RATING AT AMBIENT = LESS THAN 1 CFM/SQ. FT.

L-RATING AT 400°F = LESS THAN 1 CFM/SQ. FT.

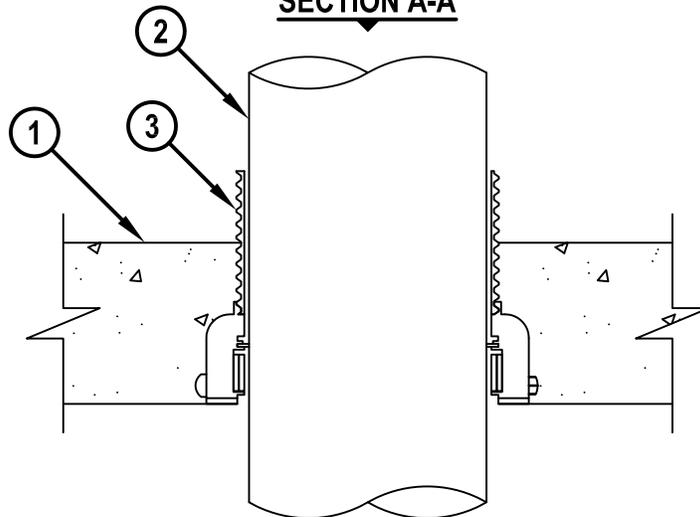
W-RATING = CLASS I (SEE NOTE NO. 3 BELOW)

FA2141d.070815

TOP VIEW



SECTION A-A



Hilti Firestop Systems

HILTI, Inc.
Tulsa, Oklahoma USA (800) 879-8000

Sheet	1 of 2
Scale	3/16" = 1"
Date	July 8, 2015

Drawing No.

**FA
2141d**

Saving Lives through Innovation and Education

PLASTIC PIPE THROUGH CONCRETE FLOOR OR CONCRETE OVER METAL DECKING

F-RATING = 2-HR.

T-RATING = 0-HR. OR 2-HR.

L-RATING AT AMBIENT = LESS THAN 1 CFM/SQ. FT.

L-RATING AT 400°F = LESS THAN 1 CFM/SQ. FT.

W-RATING = CLASS I (SEE NOTE NO. 3 BELOW)

FA2141d.070815

1. CONCRETE FLOOR ASSEMBLY (2-HR. FIRE-RATING) :
 - A. LIGHTWEIGHT OR NORMAL WEIGHT CONCRETE FLOOR (MINIMUM 4-1/2" THICK).
 - B. STEEL FLOOR UNIT/FLOOR ASSEMBLY - NORMAL WEIGHT CONCRETE FLOOR (MINIMUM 4-1/2" THICK) OVER METAL DECKING.
2. PENETRATING ITEM TO BE ONE OF THE FOLLOWING (SEE TABLE BELOW) :
 - A. MAXIMUM 4" NOMINAL DIAMETER ABS PLASTIC PIPE (CELLULAR AND SOLID CORE).
 - B. MAXIMUM 6" NOMINAL DIAMETER FRPP PLASTIC PIPE.
 - C. MAXIMUM 4" NOMINAL DIAMETER PVDF PLASTIC PIPE.
 - D. MAXIMUM 4" NOMINAL DIAMETER PP PLASTIC PIPE.
3. HILTI CP 680-P OR CP 680-PX CAST-IN FIRESTOP DEVICE CAST OR GROUTED INTO CONCRETE FLOOR (SEE TABLE BELOW).

NOMINAL PIPE DIAMETER	TYPE OF PIPE	PRODUCT DESCRIPTION
2"	ABS, FRPP, PVDF	CP 680-P 2" OR CP 680-PX 2"
3"	ABS, FRPP	CP 680-P 3" OR CP 680-PX 3"
4"	ABS, FRPP, PVDF, PP	CP 680-P 4"
6"	FRPP	CP 680-P 6"

NOTES : 1. CLOSED OR VENTED PIPING SYSTEMS (ABS, FRPP AND PP = SCH 40; PVDF = SDR 32.5).
 2. FOR CONCRETE FLOOR OVER METAL DECKING APPLICATIONS, A METAL DECK ADAPTER KIT IS REQUIRED.
 3. WATER BARRIER MODULE MAY BE THREADED ON TOP OF CAST-IN FIRESTOP DEVICE FOR NOMINAL 2", 3", 4", AND 6" PLASTIC PIPES (LISTED ABOVE). W-RATING WITH WATER BARRIER MODULE ONLY APPLIES WHEN DIAMETER OF PIPE EQUALS SIZE OF MODULE AND WHEN PIPE IS INSTALLED FROM BOTTOM OF DEVICE.
 4. L-RATING APPLIES ONLY WHEN DIAMETER OF PIPE EQUALS SIZE OF DEVICE (3" PIPE IN 3" DEVICE, ETC.).
 5. HILTI IPS TOP SEAL MAY BE USED FOR W-RATING ON 2" NOMINAL DIAMETER PIPES AND CPS TOP SEAL FOR 1/2" TO 2" NOMINAL DIAMETER PIPES IN CONJUNCTION WITH 2" CAST-IN FIRESTOP DEVICE.



HILTI, Inc.
 Tulsa, Oklahoma USA (800) 879-8000

Sheet	2 of 2
Scale	-
Date	July 8, 2015

Drawing No.
**FA
 2141d**