

PEX LINES THROUGH CONCRETE FLOOR OR CONCRETE OVER METAL DECKING

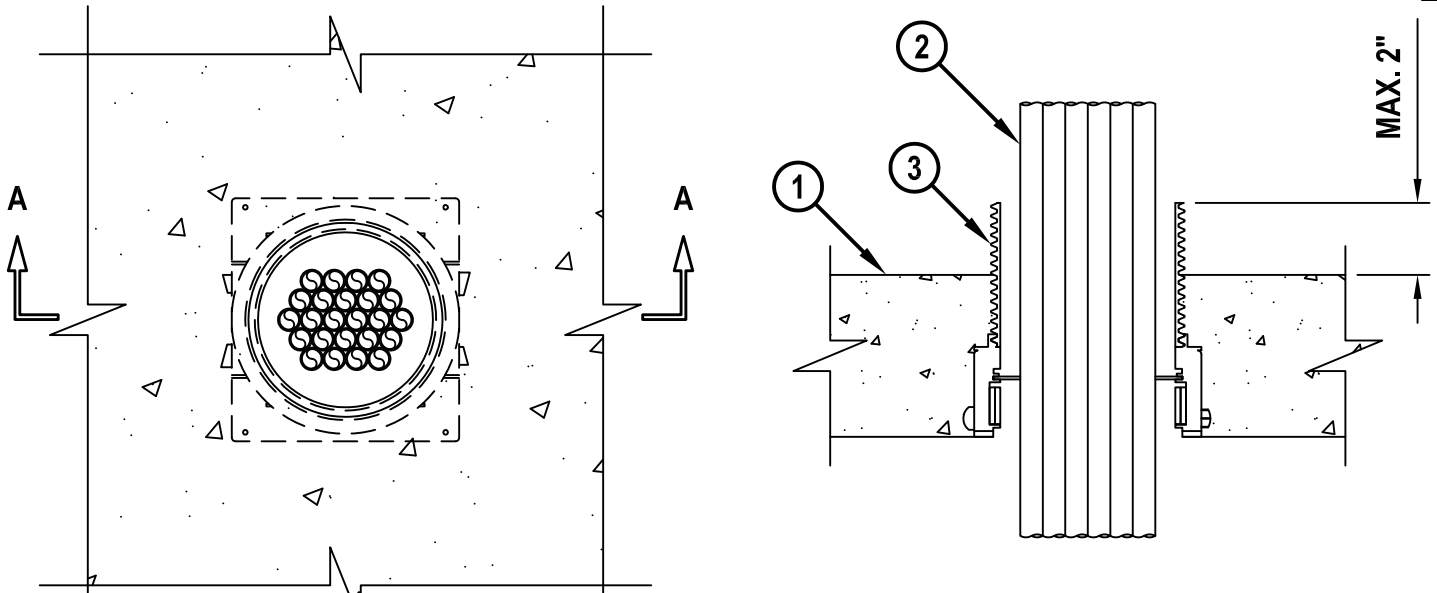
F-RATING = 2-HR.

T-RATING = 0-HR. OR 2-HR.

FA2142c.070815

TOP VIEW

SECTION A-A



1. CONCRETE FLOOR ASSEMBLY (2-HR. FIRE-RATING) :
 - A. LIGHTWEIGHT OR NORMAL WEIGHT CONCRETE FLOOR (MINIMUM 4-1/2" THICK).
 - B. STEEL FLOOR UNIT/FLOOR ASSEMBLY - LIGHTWEIGHT OR NORMAL WEIGHT CONCRETE FLOOR (MINIMUM 4-1/2" THICK) OVER METAL DECK.
2. MAXIMUM 4" NOMINAL DIAMETER BUNDLE OF MAXIMUM 1/2" NOMINAL DIAMETER PEX TUBING (SDR 9) (CLOSED OR VENTED PIPING SYSTEM).
3. HILTI CP 680-P OR CP 680-PX CAST-IN FIRESTOP DEVICE, CAST OR GROUTED INTO CONCRETE FLOOR (SEE TABLE BELOW).

NOMINAL BUNDLE DIAMETER	PRODUCT DESCRIPTION	T-RATING
2"	CP 680-P 2" OR CP 680-PX 2"	2-HR.
3"	CP 680-P 3" OR CP 680-PX 3"	2-HR.
4"	CP 680-P 4"	2-HR.

NOTES : 1. FOR CONCRETE FLOOR OVER METAL DECKING APPLICATIONS, A METAL DECK ADAPTER KIT IS REQUIRED.
 2. WHEN BUNDLE SIZES ARE SMALLER THAN LISTED IN TABLE ABOVE, MINERAL WOOL (MIN. 4 PCF DENSITY) SHALL BE TIGHTLY PACKED WITHIN CAST-IN FIRESTOP DEVICE TO THE FULLEST EXTENT POSSIBLE.
 3. WHEN BUNDLE SIZES ARE SMALLER THAN LISTED IN TABLE ABOVE, T-RATING = 0-HR.



HILTI, Inc.
 Tulsa, Oklahoma USA (800) 879-8000

Sheet	1 of 1
Scale	3/16" = 1"
Date	July 7, 2015

Drawing No.
FA 2142c