

UL SYSTEM NO. F-A-2166

PLASTIC PIPE THROUGH CONCRETE FLOOR/CONCRETE OVER METAL DECKING

F-RATING = 4-HR.

T-RATING = 1/4-HR.

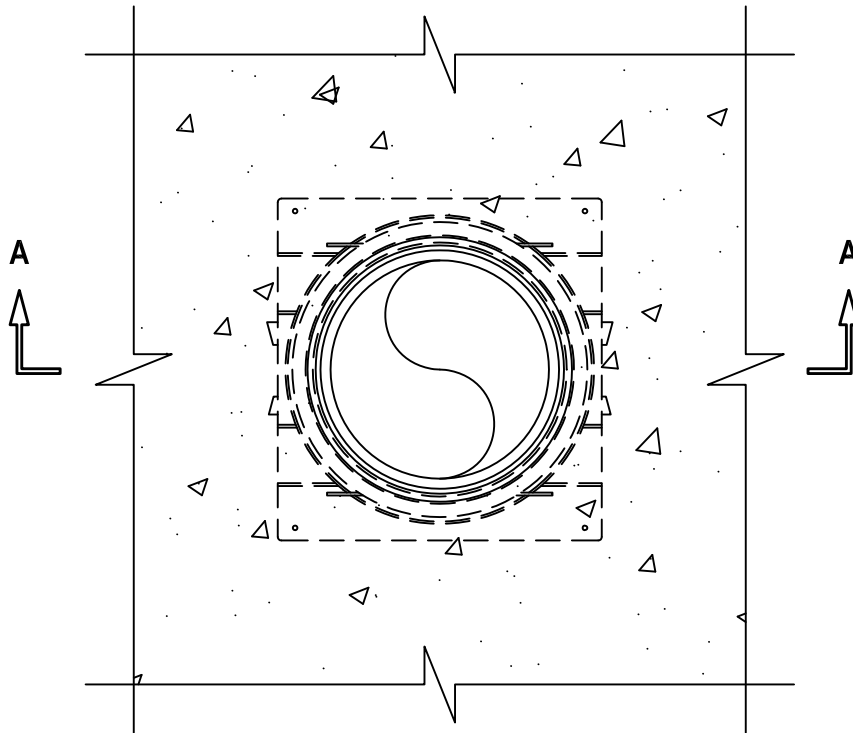
L-RATING AT AMBIENT = LESS THAN 1 CFM/SQ. FT.

L-RATING AT 400°F = LESS THAN 1 CFM/SQ. FT.

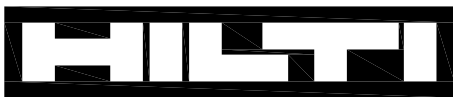
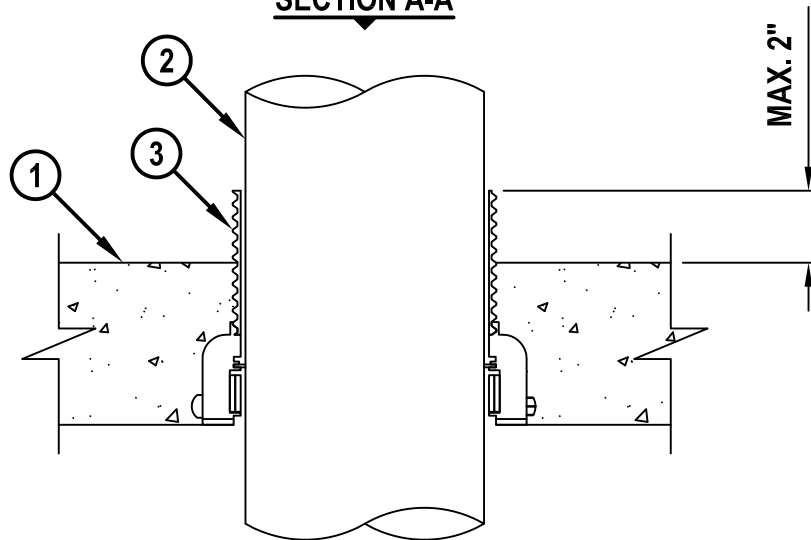
W-RATING = CLASS I (SEE NOTE NO. 3 AND 4 BELOW)

FA2166d.071015

TOP VIEW



SECTION A-A



Hilti Firestop Systems

HILTI, Inc.
Tulsa, Oklahoma USA (800) 879-8000

Sheet 1 of 2

Scale 3/16" = 1"

Date July 10, 2015

Drawing No.

**FA
2166d**

Saving Lives through Innovation and Education

PLASTIC PIPE THROUGH CONCRETE FLOOR/CONCRETE OVER METAL DECKING

F-RATING = 4-HR.

T-RATING = 1/4-HR.

L-RATING AT AMBIENT = LESS THAN 1 CFM/SQ. FT.

L-RATING AT 400°F = LESS THAN 1 CFM/SQ. FT.

W-RATING = CLASS I (SEE NOTE NO. 3 AND 4 BELOW)

FA2166d.071015

1. CONCRETE FLOOR ASSEMBLY (4-HR. FIRE-RATING) :
 - A. LIGHTWEIGHT OR NORMAL WEIGHT CONCRETE FLOOR (MINIMUM 4-1/2" THICK).
 - B. STEEL FLOOR UNIT/FLOOR ASSEMBLY - LIGHTWEIGHT OR NORMAL WEIGHT CONCRETE FLOOR (MINIMUM 4-1/2" THICK) OVER METAL DECKING.
2. PENETRATING ITEM TO BE ONE OF THE FOLLOWING (SEE TABLE BELOW) :
 - A. MAXIMUM 6" NOMINAL DIAMETER PVC PLASTIC PIPE (CELLULAR AND SOLID CORE).
 - B. MAXIMUM 6" NOMINAL DIAMETER CPVC PLASTIC PIPE (CLOSED PIPING SYSTEM ONLY).
 - C. MAXIMUM 6" NOMINAL DIAMETER RIGID NON-METALLIC CONDUIT (RNC).
3. HILTI CP 680-P OR HILTI CP 680-PX CAST-IN FIRESTOP DEVICE, CAST OR GROUTED INTO CONCRETE FLOOR (SEE TABLE BELOW).

NOMINAL PIPE DIAMETER	PRODUCT DESCRIPTION
2"	CP 680-P 2" OR CP 680-PX 2"
3"	CP 680-P 3" OR CP 680-PX 3"
3" TO 4"	CP 680-P 4"
6"	CP 680-P 6"

- NOTES :**
1. CLOSED OR VENTED PIPING SYSTEMS (PVC, RNC = SCH 40; CPVC = SDR 13.5).
 2. FOR CONCRETE FLOOR OVER METAL DECKING APPLICATIONS, A METAL DECK ADAPTER KIT IS REQUIRED.
 3. WATER BARRIER MODULE MAY BE THREADED ON TOP OF CAST-IN FIRESTOP DEVICE FOR NOMINAL 2", 3", 4", AND 6" PLASTIC PIPES (LISTED ABOVE). W-RATING WITH WATER BARRIER MODULE ONLY APPLIES WHEN DIAMETER OF PIPE EQUALS SIZE OF MODULE AND WHEN PIPE IS INSTALLED FROM BOTTOM OF DEVICE.
 4. HILTI IPS OR CPS TOP SEAL MAY BE USED FOR W-RATING ON 2" NOMINAL DIAMETER PIPES IN CONJUNCTION WITH HILTI 2" CAST-IN FIRESTOP DEVICES.
 5. L-RATING APPLIES ONLY WHEN DIAMETER OF PIPE EQUALS SIZE OF DEVICE (3" PIPE IN 3" DEVICE, ETC.).



HILTI, Inc.
Tulsa, Oklahoma USA (800) 879-8000

Sheet	2 of 2
Scale	-
Date	July 10, 2015

Drawing No.
**FA
2166d**