

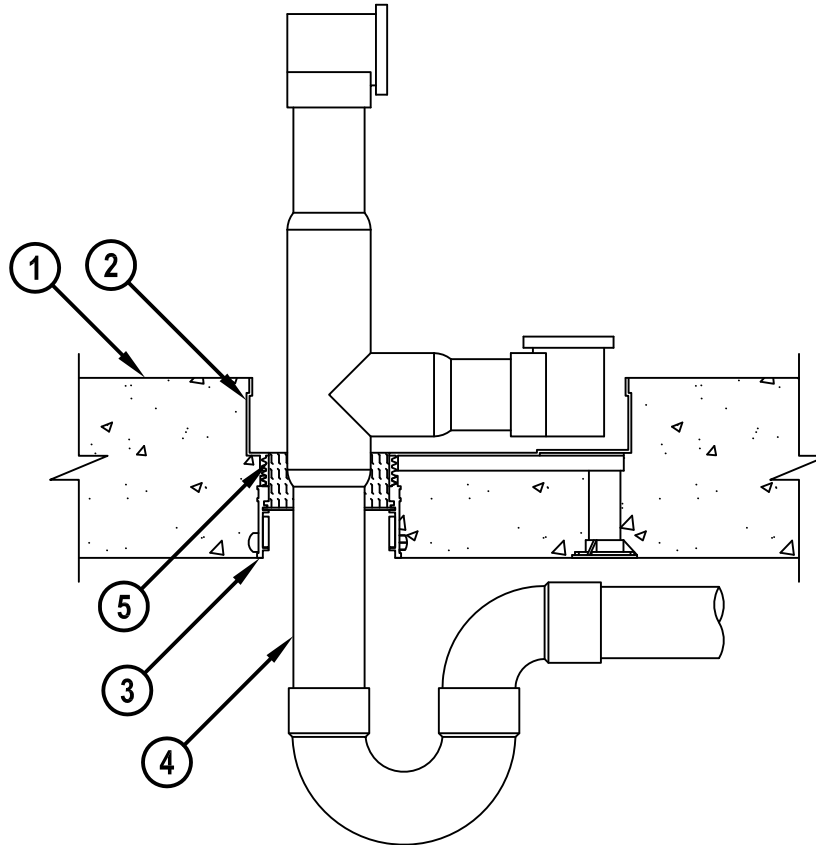
UL SYSTEM NO. F-A-2177

PLASTIC PIPE AND TUB FITTINGS THROUGH CONCRETE FLOOR ASSEMBLY

F-RATING = 2-HR.

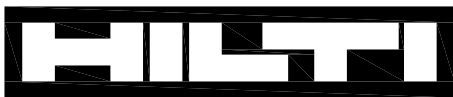
T-RATING = 2-HR.

CROSS-SECTIONAL VIEW



1. LIGHTWEIGHT OR NORMAL WEIGHT CONCRETE FLOOR (MINIMUM 6" THICK) (2-HR. FIRE-RATING).
2. HILTI CP 681 TUB BOX KIT, CONSISTING OF 8-1/2" x 12" x 2" DEEP ABS TUB BOX WITH ADJUSTABLE LEGS, FASTENED TO FORM WORK AND PERMANENTLY EMBEDDED DURING CONCRETE PLACEMENT.
3. HILTI CP 680-P 3" OR CP 680-PX 3" CAST-IN FIRESTOP DEVICE SECURED TO BOTTOM OF TUB BOX.
4. NOMINAL 1-1/2" OR 2" DIAMETER PVC PLASTIC PIPE (SCH 40) CEMENTED TOGETHER AND SECURED TO WASTE OVERFLOW FITTINGS WITH A COMPRESSION COUPLING.
5. MINIMUM 2" THICKNESS MINERAL WOOL (MIN. 4 PCF DENSITY) TIGHTLY PACKED AROUND PIPE, FLUSH WITH TOP OF FIRESTOP DEVICE.

NOTE : DRAIN PIPING AND P-TRAPS (ITEM NO. 4) SHOULD BE PROPERLY SUPPORTED AWAY FROM THE TUB BOX WITH SUITABLE HANGERS.



Hilti Firestop Systems

HILTI, Inc.
Tulsa, Oklahoma USA (800) 879-8000

Sheet	1 of 1
Scale	5/32" = 1"
Date	July 10, 2015

Drawing No.

**FA
2177c**

Saving Lives through Innovation and Education

FA2177c-071015