

UL/cUL SYSTEM NO. F-A-1194

METAL PIPE THROUGH CONCRETE FLOOR OVER METAL DECK ASSEMBLY

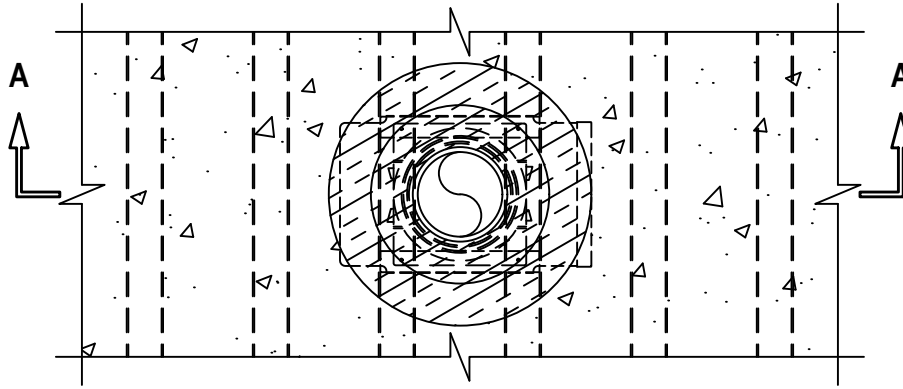
F-RATING = 2-HR.

T-RATING = 2-HR.

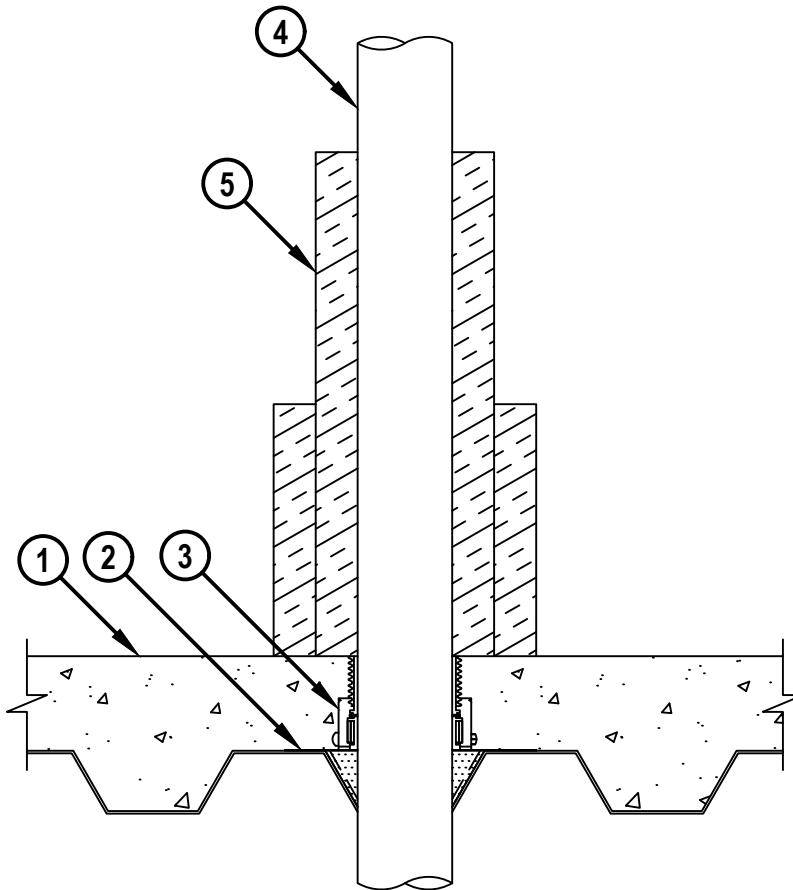
L-RATING AT AMBIENT = LESS THAN 1 CFM / SQ FT

L-RATING AT 400°F = LESS THAN 1 CFM / SQ FT

TOP VIEW



SECTION A-A



FA1194c.111319



HILTI, Inc.
Plano, Texas USA (800) 879-8000

Sheet	1 of 2
Scale	7/64" = 1"
Date	Nov. 13, 2019

Drawing No.
**FA
1194c**

Saving Lives through Innovation and Education

UL/cUL SYSTEM NO. F-A-1194

METAL PIPE THROUGH CONCRETE FLOOR OVER METAL DECK ASSEMBLY

F-RATING = 2-HR.

T-RATING = 2-HR.

L-RATING AT AMBIENT = LESS THAN 1 CFM / SQ FT

L-RATING AT 400°F = LESS THAN 1 CFM / SQ FT

FA1194c.111319

1. LIGHTWEIGHT OR NORMAL WEIGHT CONCRETE FLOOR (MINIMUM 2-1/2" THICK) OVER METAL DECKING ASSEMBLY (UL/cUL CLASSIFIED D900 SERIES) WITH 2" OR 3" FLUTED DECKS (2-HR. FIRE-RATING).
2. HILTI CFS-CID MD PLT [W2" OR W3"] METAL DECK PLATFORM SECURED TO DECK WITH ONE FASTENER IN EACH CORNER.
3. HILTI CFS-CID MD [P OR PX] [2", 3", OR 4"]/[2.5" OR 4"] FIRESTOP CAST-IN DEVICE FOR METAL DECK SECURED TO HILTI CFS-CID MD PLT METAL DECK PLATFORM WITH SCREWS. THE 2.5" HEIGHT DEVICES ARE INTENDED FOR A 2-1/2" CONCRETE TOPPING AND THE 4" HEIGHT DEVICES ARE FOR CONCRETE TOPPINGS GREATER THAN 2-1/2" THICK.
4. PENETRATING ITEM TO BE ONE OF THE FOLLOWING :
 - A. MAXIMUM 4" NOMINAL DIAMETER STEEL PIPE (SCHEDULE 40 OR HEAVIER).
 - B. MAXIMUM 4" NOMINAL DIAMETER CAST OR DUCTILE IRON PIPE.
 - C. MAXIMUM 4" NOMINAL DIAMETER STEEL CONDUIT OR EMT.
5. DUCT WRAP (NOMINAL 1-1/2" OR 2" THICK FYREWAP 2.0 DUCT INSULATION OR FIREWRAP DUCT INSULATION [MANUFACTURED BY UNIFRAX] OR NOMINAL 1-1/2" THICK FIREMASTER FASTWRAP XL DUCT INSULATION [MANUFACTURED BY THERMAL CERAMICS]) WRAPPED AROUND PENETRANT, EXTENDING 24" ABOVE THE FLOOR. AN ADDITIONAL LAYER OF DUCT WRAP TIGHTLY WRAPPED AROUND THE FIRST LAYER OF DUCT WRAP, EXTENDING 12" ABOVE FLOOR, SEAMS TO OVERLAP MINIMUM 1" AND SEALED WITH FOIL TAPE.



Hilti Firestop Systems

HILTI, Inc.
Plano, Texas USA (800) 879-8000

Sheet	2 of 2
Scale	-
Date	Nov. 13, 2019

Drawing No.

**FA
1194c**

Saving Lives through Innovation and Education