

UL/cUL SYSTEM NO. F-A-3007

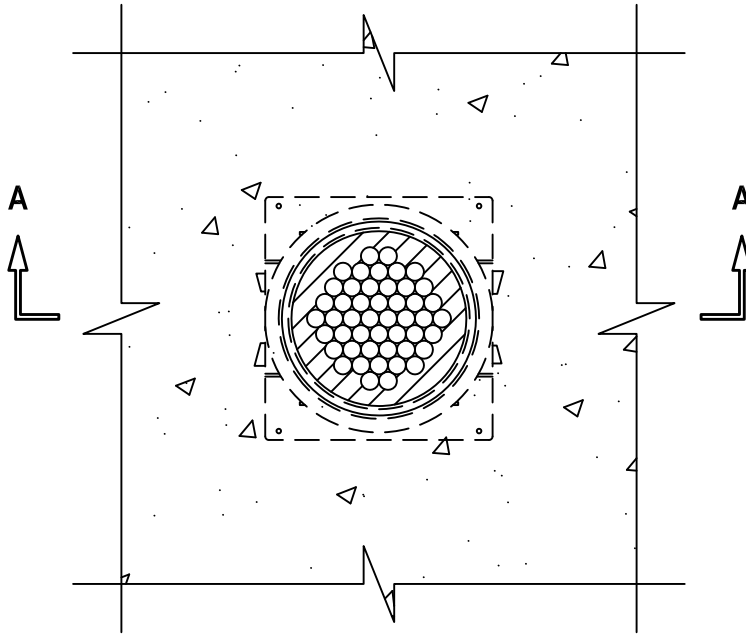
CABLE BUNDLE THROUGH CONCRETE FLOOR OR CONCRETE OVER METAL DECKING

F-RATING = 3-HR.

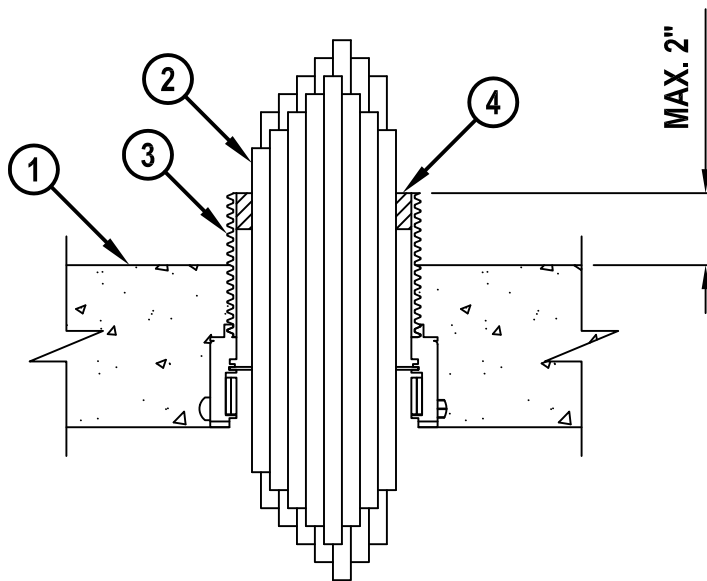
T-RATING = 0-HR., 1/4-HR. OR 1/2-HR.

FA3007j.071415

TOP VIEW



SECTION A-A



HILTI, Inc.
Tulsa, Oklahoma USA (800) 879-8000

Sheet	1 of 2
Scale	3/16" = 1"
Date	July 14, 2015

Drawing No.

**FA
3007j**

Saving Lives through Innovation and Education

CABLE BUNDLE THROUGH CONCRETE FLOOR OR CONCRETE OVER METAL DECKING

F-RATING = 3-HR.

T-RATING = 0-HR., 1/4-HR. OR 1/2-HR.

FA3007j.071415

1. CONCRETE FLOOR ASSEMBLY (3-HR. FIRE-RATING) :
 - A. LIGHTWEIGHT OR NORMAL WEIGHT CONCRETE FLOOR (MINIMUM 4-1/2" THICK).
 - B. STEEL FLOOR UNIT/FLOOR ASSEMBLY - LIGHTWEIGHT OR NORMAL WEIGHT CONCRETE FLOOR (MINIMUM 4-1/2" THICK) OVER METAL DECKING.
2. CABLE BUNDLE CONSISTING OF ANY OF THE FOLLOWING :
 - A. MAXIMUM 300 PAIR NO. 24 AWG TELEPHONE CABLE WITH PVC JACKET.
 - B. MAXIMUM 750 KCMIL POWER CABLE WITH PVC JACKET.
 - C. MAXIMUM 7/C NO. 12 AWG POWER CABLE WITH PVC JACKET.
 - D. MAXIMUM (24 FIBER) 1/2" DIAMETER FIBER-OPTIC CABLE.
 - E. MAXIMUM 3/C NO. 12 AWG METAL-CLAD CABLE.
3. HILTI CP 680-M OR CP 680-P CAST-IN FIRESTOP DEVICE, CAST OR GROUTED INTO CONCRETE FLOOR (SEE TABLE BELOW).
4. MINIMUM 1" DEPTH HILTI CP 618 FIRESTOP PUTTY STICK APPLIED AROUND CABLES (SEE NOTES BELOW).

MAXIMUM DIAMETER OF CABLE BUNDLE	PRODUCT DESCRIPTION
2"	CP 680-M 2", CP 680-P 2" OR CP 680-PX 2"
3"	CP 680-M 3", CP 680-P 3" OR CP 680-PX 3"
4-1/2"	CP 680-M 4" OR CP 680-P 4"
6-1/2"	CP 680-P 6"

NOTES : 1. AS AN ALTERNATE TO HILTI CP 618 FIRESTOP PUTTY STICK, MINIMUM 2" THICKNESS MINERAL WOOL (MINIMUM 4 PCF DENSITY) MAY BE TIGHTLY PACKED INTO FIRESTOP DEVICE, FLUSH WITH TOP SURFACE OF DEVICE.
 2. FILL MATERIAL IS OPTIONAL FOR MINIMUM 2" DIAMETER CABLE BUNDLES INSTALLED IN 2" DEVICES, MINIMUM 2-1/2" DIAMETER CABLE BUNDLES INSTALLED IN 3" DEVICES AND MINIMUM 3" DIAMETER CABLE BUNDLES INSTALLED IN 4" DEVICES.
 3. FOR CONCRETE FLOOR OVER METAL DECKING APPLICATIONS, A METAL DECK ADAPTER KIT IS REQUIRED.



HILTI, Inc.
 Tulsa, Oklahoma USA (800) 879-8000

Sheet	2 of 2
Scale	-
Date	July 14, 2015

Drawing No.
**FA
 3007j**