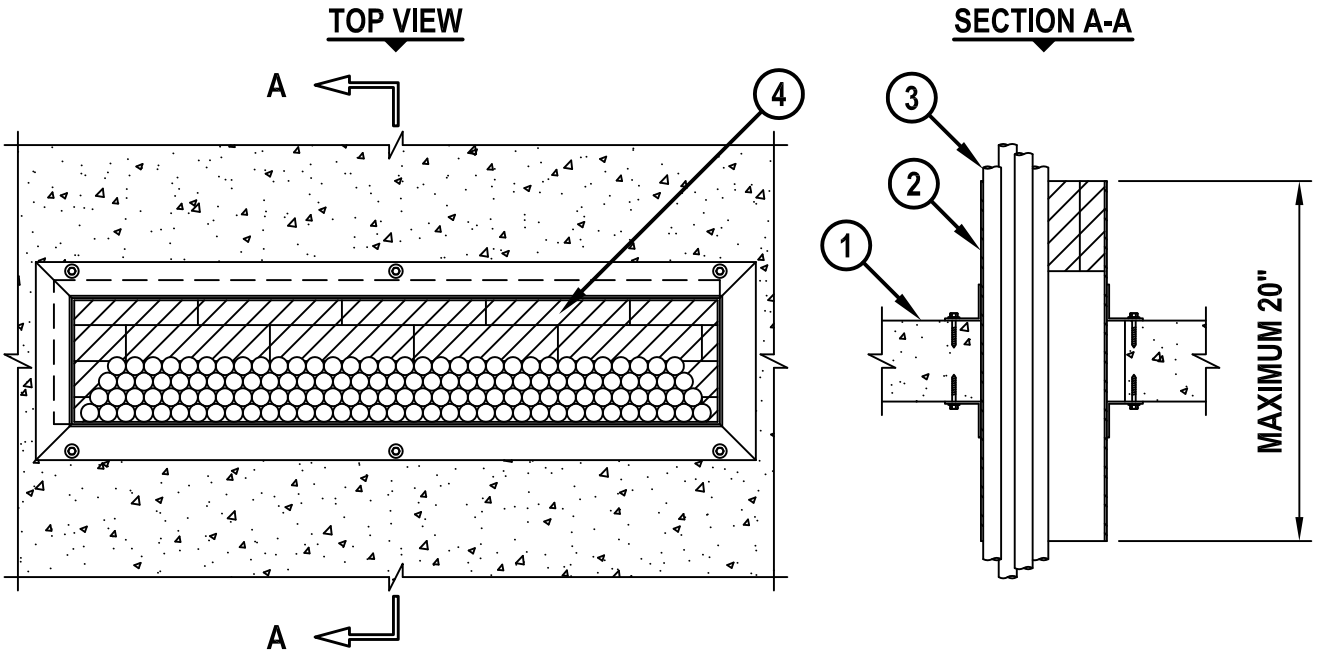


CABLES THROUGH CABLOFIL, INC. STEEL SLEEVE IN CONCRETE FLOOR ASSEMBLY

F-RATING = 2-HR.
T-RATING = 0-HR.

FA3022c.010715



1. LIGHTWEIGHT OR NORMAL WEIGHT CONCRETE FLOOR ASSEMBLY (MINIMUM 4-1/2" THICK) (2-HR. FIRE-RATING).
2. MAXIMUM 36" x 7", TYPE P-W STEEL SLEEVE (MINIMUM 14 GA.) MANUFACTURED BY CABLOFIL, INC., AND FASTENED TO BOTH SIDES OF FLOOR WITH STEEL CONCRETE SCREWS AT EACH CORNER AND SPACED A MAXIMUM 18" C/C.
3. CABLES TO CONSIST OF A COMBINATION OF ANY OF THE FOLLOWING :
 - A. MAXIMUM 300 PAIR NO. 24 AWG TELEPHONE CABLE WITH PVC JACKET.
 - B. MAXIMUM 500 KCMIL SINGLE CONDUCTOR POWER CABLE WITH PVC JACKET.
 - C. MAXIMUM 1/2" DIAMETER FIBER-OPTIC CABLE (MAXIMUM 24 FIBER) WITH PVC JACKET.
 - D. MAXIMUM 3/C NO. 12 AWG STEEL-CLAD CABLE.
 - E. MAXIMUM 7/C NO. 12 AWG POWER CABLE WITH PVC JACKET.
4. HILTI CFS-BL FIRESTOP BLOCK OR HILTI FS 657 FIRE BLOCK (2" THICK x 8" WIDE x 5" DEEP, REFERENCE : TOP VIEW) FIRMLY PACKED AND INSTALLED ANYWHERE BETWEEN TOP OF STEEL SLEEVE AND TOP OF FLOOR. EITHER ONE OR A COMBINATION OF THE BLOCK TYPES MAY BE USED.

NOTES : 1. MAXIMUM SIZE OF OPENING = 37" x 8".
 2. ANNULAR SPACE BETWEEN STEEL SLEEVE AND PERIPHERY OF OPENING = MINIMUM 0", MAXIMUM 1".
 3. ANNULAR SPACE INSIDE STEEL SLEEVE = MINIMUM 0", MAXIMUM 5".
 4. CABLES TO FILL MAXIMUM 45% OF CROSS-SECTIONAL AREA OF STEEL SLEEVE.
 5. FILL ANY VOID TO MAXIMUM EXTENT POSSIBLE WITH HILTI FS-ONE MAX OR FS-ONE INTUMESCENT FIRESTOP SEALANT OR CP 618 FIRESTOP PUTTY STICK.



HILTI, Inc.
Tulsa, Oklahoma USA (800) 879-8000

Sheet	1 of 1
Scale	3/32" = 1"
Date	Jan. 07, 2015

Drawing No.

**FA
3022c**