

UL/cUL SYSTEM NO. F-A-7018

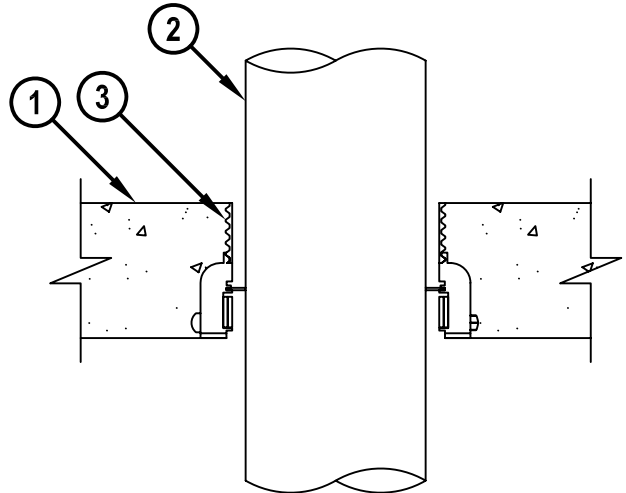
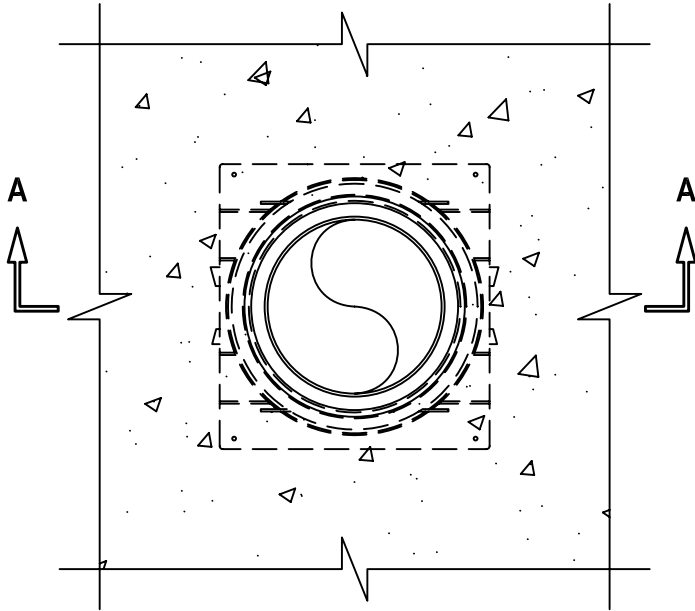
**SHEET METAL DUCT THROUGH CONCRETE FLOOR OR
CONCRETE OVER METAL DECKING**

F-RATING = 3-HR.
T-RATING = 1/4-HR.

FAY018b.122206

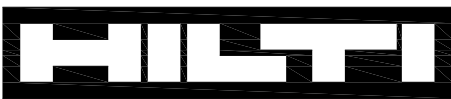
TOP VIEW

SECTION A-A



1. CONCRETE FLOOR ASSEMBLY (3-HR. FIRE-RATING) :
 - A. LIGHTWEIGHT OR NORMAL WEIGHT CONCRETE FLOOR (MINIMUM 4-1/2" THICK).
 - B. STEEL FLOOR UNIT/FLOOR ASSEMBLY - LIGHTWEIGHT OR NORMAL WEIGHT CONCRETE FLOOR (MINIMUM 4-1/2" THICK) OVER METAL DECKING.
2. MAXIMUM 6" DIAMETER SHEET METAL DUCT (MIN. 28 GA.).
3. HILTI CP 680-P 6" CAST-IN FIRESTOP DEVICE, CAST OR GROUTED INTO CONCRETE FLOOR.

NOTES : 1. FOR CONCRETE FLOOR OVER METAL DECKING APPLICATIONS, A METAL DECK ADAPTER KIT IS REQUIRED.
2. WHEN DUCT DIAMETER IS SMALLER THAN INDICATED ABOVE, A MINIMUM 1" THICKNESS HILTI CP 618 FIRESTOP PUTTY STICK OR MINIMUM 4" THICKNESS TIGHTLY PACKED MINERAL WOOL (MIN. 4 PCF DENSITY) SHALL BE APPLIED WITHIN THE ANNULUS BETWEEN THE PIPE AND PERIPHERY OF HILTI CP 680-P FIRESTOP DEVICE, FLUSH WITH TOP SURFACE OF DEVICE.



Hilti Firestop Systems

HILTI, Inc.
Tulsa, Oklahoma USA (800) 879-8000

Sheet	1 of 1
Scale	5/32" = 1"
Date	Dec. 22, 2006

Drawing No.

**FA
7018b**

Saving Lives through Innovation and Education