

**PLASTIC/METAL PIPE TRANSITION THROUGH CONCRETE FLOOR ASSEMBLY**

F-RATING = 2-HR.

T-RATING = 2-HR.

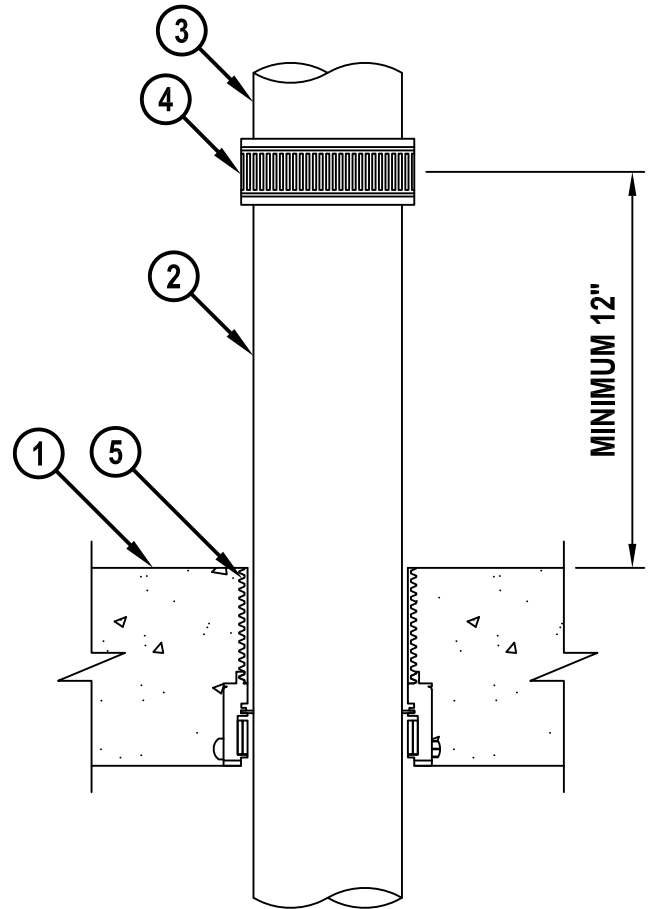
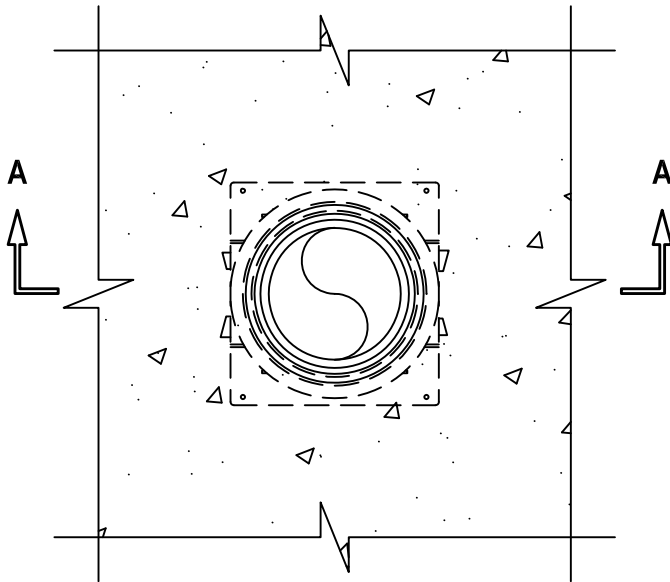
L-RATING AT AMBIENT = LESS THAN 1 CFM/SQ. FT.

L-RATING AT 400°F = LESS THAN 1 CFM/SQ. FT.

FB2033b.071715

**TOP VIEW**

**SECTION A-A**



1. LIGHTWEIGHT OR NORMAL WEIGHT CONCRETE FLOOR (MINIMUM 6" THICK) (2-HR. FIRE-RATING).
2. NON-METALLIC PIPE TO BE ANY OF THE FOLLOWING AND TO EXTEND MINIMUM 12" ABOVE TOP SURFACE OF FLOOR :
  - A. MAXIMUM 4" NOMINAL DIAMETER PVC PLASTIC PIPE (SCH 40) (CELLULAR OR SOLID CORE) (CLOSED OR VENTED PIPING SYSTEM).
  - B. MAXIMUM 4" NOMINAL DIAMETER CPVC (SDR 13.5) PLASTIC PIPE (CLOSED PIPING SYSTEM ONLY).
3. MAXIMUM 4" NOMINAL DIAMETER STEEL PIPE (SCH 10 OR HEAVIER) OR CAST/DUCTILE IRON PIPE.
4. COMPRESSION TYPE COUPLING WITH ELASTOMERIC GASKET AND A STAINLESS STEEL JACKET WITH STAINLESS STEEL BAND CLAMPS USED TO SECURE METALLIC PIPE WITH NON-METALLIC PIPE.
5. HILTI CP 680-P [2", 3", OR 4"] OR CP 680-PX [2" OR 3"] CAST-IN FIRESTOP DEVICE, CAST OR GROUTED INTO CONCRETE FLOOR. SIZE OF DEVICE TO MATCH NOMINAL DIAMETER OF PIPE.



HILTI, Inc.  
Plano, Texas USA (800) 879-8000

Sheet	1 of 1
Scale	11/64" = 1"
Date	July 17, 2015

Drawing No.  
**FB**  
**2033b**