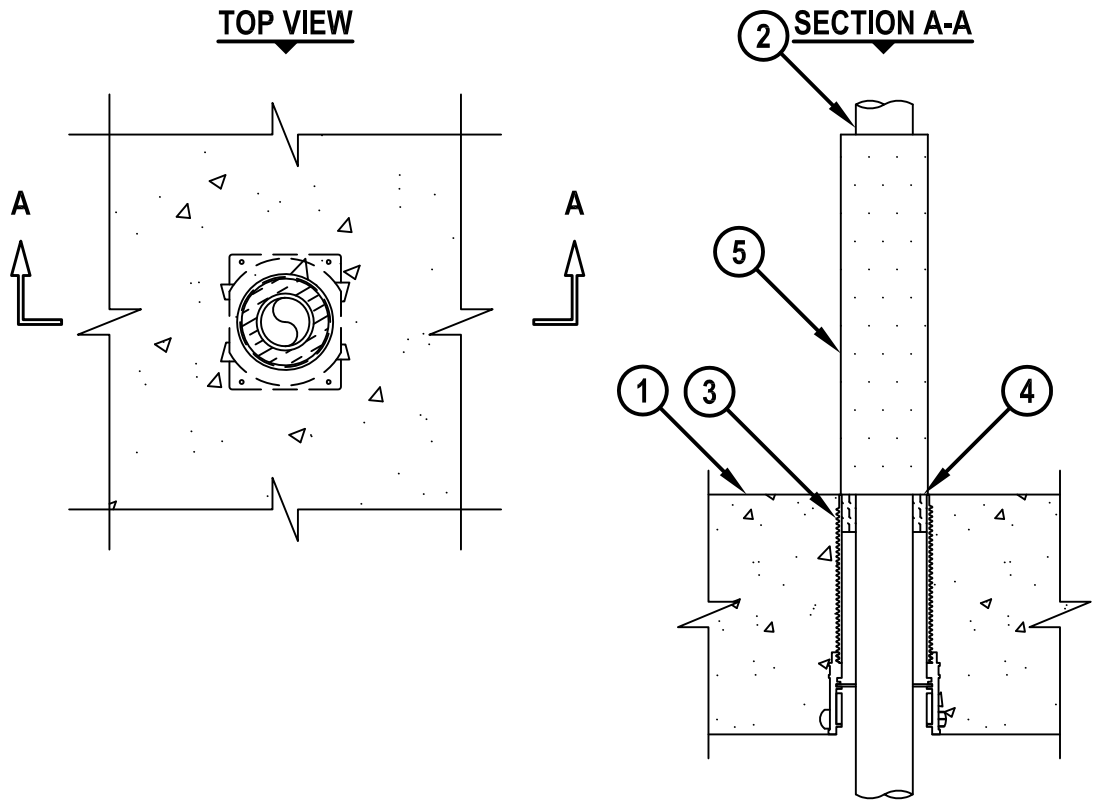


**PLASTIC PIPE THROUGH CONCRETE FLOOR OR CONCRETE FLOOR OVER METAL DECKING**

F-RATING = 2-HR.  
T-RATING = 2-HR.

FB2034c.071715



1. CONCRETE FLOOR ASSEMBLY (2-HR. FIRE-RATING) :
  - A. LIGHTWEIGHT OR NORMAL WEIGHT CONCRETE FLOOR (MINIMUM 8" THICK).
  - B. STEEL FLOOR UNIT/FLOOR ASSEMBLY - LIGHTWEIGHT OR NORMAL WEIGHT CONCRETE FLOOR (MINIMUM 8" THICK) OVER METAL DECKING.
2. PENETRATING ITEM TO BE ONE OF THE FOLLOWING :
  - A. MAXIMUM 1-1/2" NOMINAL DIAMETER POLYPROPYLENE (PP) PLASTIC PIPE (SDR 11 OR 7.4) (CLOSED OR VENTED PIPING SYSTEM).
  - B. MAXIMUM 40mm NOMINAL DIAMETER FUSIOTHERM® PLASTIC PIPE (SDR 11 OR 7.4) MANUFACTURED BY AQUATHERM, INC. (CLOSED OR VENTED PIPING SYSTEM).
  - C. MAXIMUM 1-1/2" [50mm] NOMINAL DIAMETER POLYSTAR™ CT-WHITE (SDR 11, SDR 9, OR SDR 7.4) PP PLASTIC PIPE (MANUFACTURED BY ORION) (CLOSED PIPING SYSTEM).
3. HILTI CP 680-P 2" OR CP 680-PX 2" CAST-IN FIRESTOP DEVICE, CAST OR GROUTED INTO CONCRETE FLOOR.
4. MINIMUM 1-1/4" THICKNESS MINERAL WOOL (MIN. 4 PCF DENSITY) TIGHTLY PACKED, FLUSH WITH TOP OF DEVICE.
5. [OPTIONAL] MINIMUM 1/2" THICK GLASS FIBER PIPE INSULATION (EXTENDING MINIMUM 12" ABOVE FLOOR) INSTALLED AROUND PIPE, RESTING FLUSH WITH TOP SURFACE OF FLOOR.

**NOTE : FOR CONCRETE FLOOR OVER METAL DECKING APPLICATIONS, A METAL DECK ADAPTER KIT IS REQUIRED.**



HILTI, Inc.  
Plano, Texas USA (800) 879-8000

Sheet	1 of 1
Scale	5/32" = 1"
Date	July 17, 2015

Drawing No.  
**FB  
2034c**