

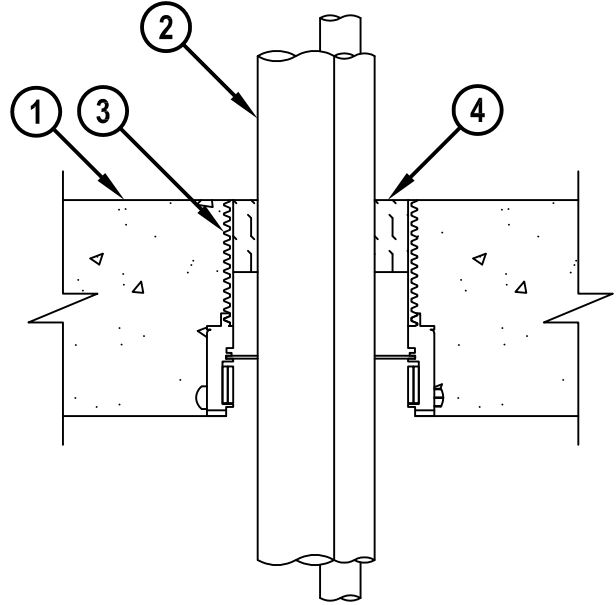
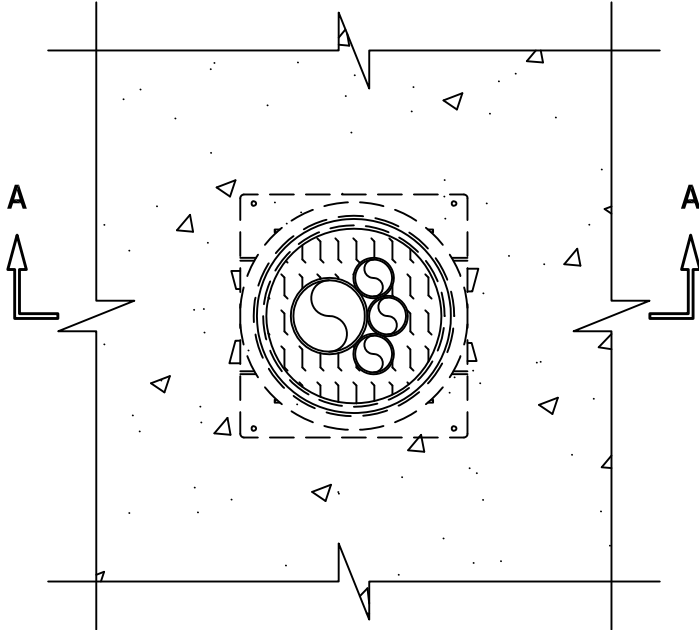
UL SYSTEM NO. F-B-2040
PEX LINES THROUGH CONCRETE FLOOR ASSEMBLY

F-RATING = 2-HR.
 T-RATING = 0-HR.

FB2040c.071715

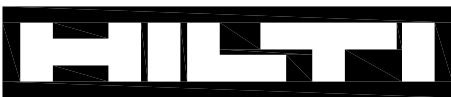
TOP VIEW

SECTION A-A



1. LIGHTWEIGHT OR NORMAL WEIGHT CONCRETE FLOOR ASSEMBLY (MINIMUM 6" THICK) (2-HR. FIRE-RATING).
2. MAXIMUM 2" NOMINAL DIAMETER CROSS-LINKED POLYETHYLENE (PEX) TUBING (SDR 9) (CLOSED OR VENTED PIPING SYSTEM) (MAX. QTY. = 4).
3. HILTI CP 680-P [2", 3", OR 4"] OR CP 680-PX [2" OR 3"] CAST-IN FIRESTOP DEVICE CAST OR GROUTED INTO FLOOR.
4. MINIMUM 2" THICKNESS MINERAL WOOL (MIN. 4 PCF DENSITY) TIGHTLY PACKED, FLUSH WITH TOP OF FLOOR (SEE NOTE BELOW).

**NOTE : AS AN ALTERNATE TO MINERAL WOOL (ITEM NO. 4),
 HILTI CF-AS CJP FILLER FOAM MAY BE USED.**



Hilti Firestop Systems

HILTI, Inc.
 Plano, Texas USA (800) 879-8000

Sheet	1 of 1
Scale	3/16" = 1"
Date	July 17, 2015

Drawing No.

FB
2040c

Saving Lives through Innovation and Education