

UL SYSTEM NO. F-B-2041

**MULTIPLE NON-METALLIC PIPES THROUGH CONCRETE FLOOR ASSEMBLY**

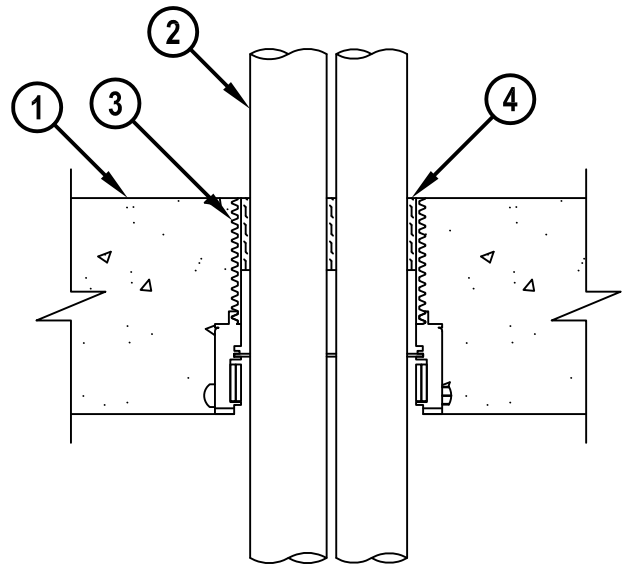
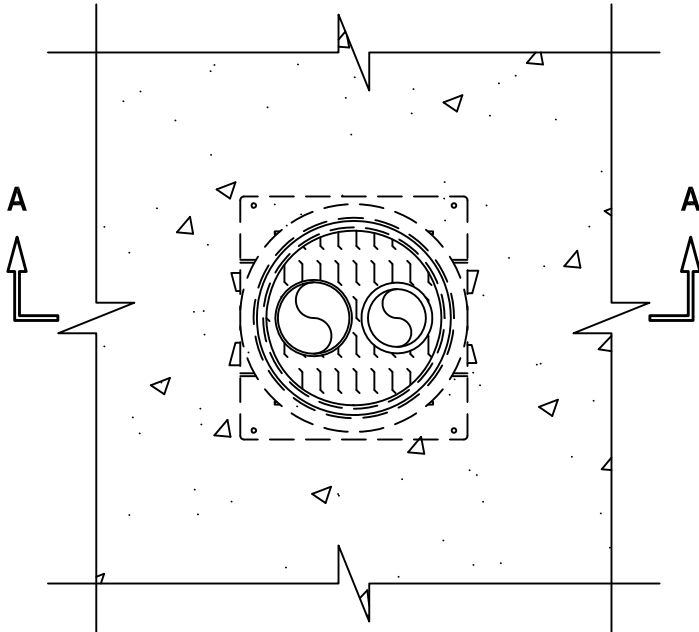
F-RATING = 2-HR.

T-RATING = 0-HR.

FB2041b.071715

**TOP VIEW**

**SECTION A-A**



1. LIGHTWEIGHT OR NORMAL WEIGHT CONCRETE FLOOR ASSEMBLY (MINIMUM 6" THICK) (2-HR. FIRE-RATING).
2. PENETRATING ITEMS TO CONSIST OF ANY COMBINATION OF THE FOLLOWING (CLOSED OR VENTED PIPING SYSTEM) (MAX. QTY. = 2) :
  - A. MAXIMUM 2" NOMINAL DIAMETER FUSIOTHERM (SDR 11 OR SDR 7.4 WITH FASER) PP PLASTIC PIPE MANUFACTURED BY AQUATHERM, INC.
  - B. MAXIMUM 2" NOMINAL DIAMETER CROSS-LINKED POLYETHYLENE (PEX) TUBING (SDR 9).
3. HILTI CP 680-P [2", 3", OR 4"] OR CP 680-PX [2" OR 3"] CAST-IN FIRESTOP DEVICE CAST OR GROUTED INTO FLOOR.
4. MINIMUM 2" THICKNESS MINERAL WOOL (MIN. 4 PCF DENSITY) TIGHTLY PACKED, FLUSH WITH TOP SURFACE OF FLOOR.

**NOTE : ANNULAR SPACE BETWEEN PENETRANTS AND PERIPHERY OF OPENING = MINIMUM 0", MAXIMUM 1".**



HILTI, Inc.  
Plano, Texas USA (800) 879-8000

Sheet	1 of 1
Scale	3/16" = 1"
Date	July 17, 2015

Drawing No.  
**FB  
2041b**

*Saving Lives through Innovation and Education*