

UL SYSTEM NO. F-B-2048

PLASTIC PIPE THROUGH CONCRETE FLOOR ASSEMBLY

F-RATING = 3-HR.

T-RATING = 0-HR. OR 1/2-HR.

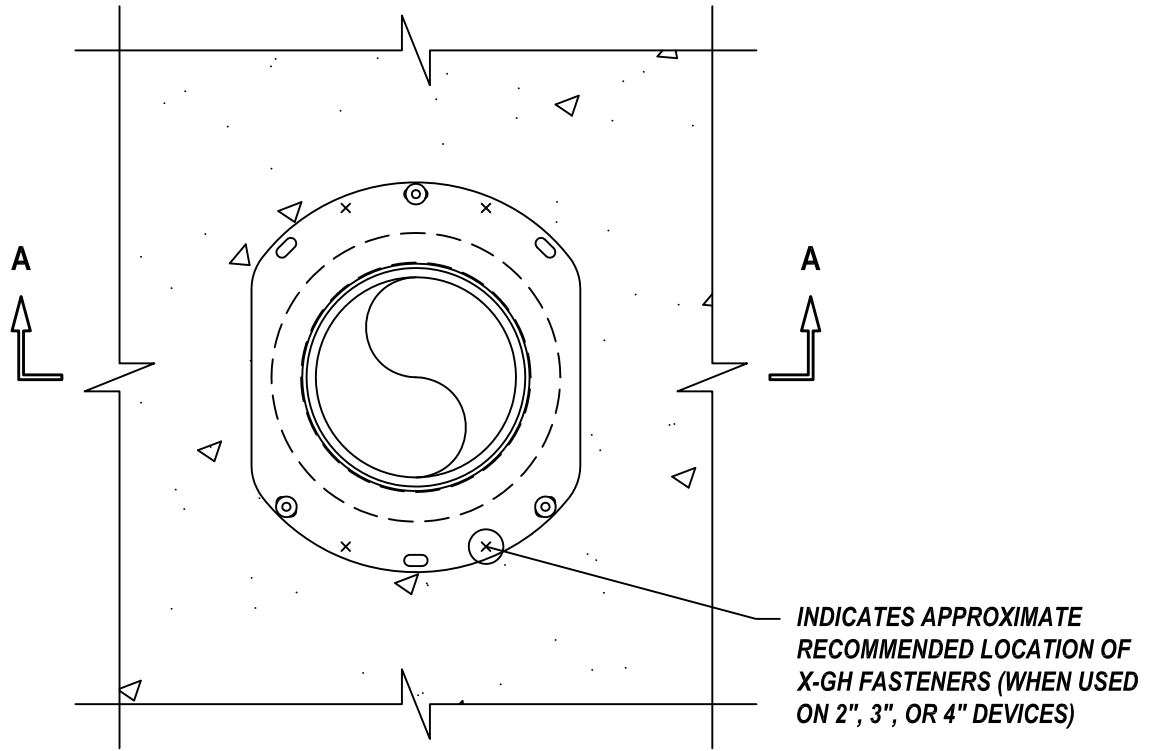
L-RATING AT AMBIENT = LESS THAN 1 CFM/SQ. FT. (SEE NOTE NO. 2 BELOW)

L-RATING AT 400°F = LESS THAN 1 CFM/SQ. FT. (SEE NOTE NO. 2 BELOW)

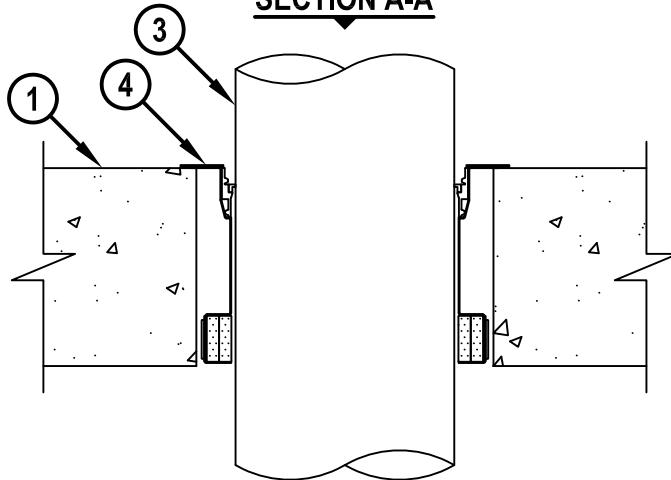
W-RATING = CASS I (SEE NOTE NO. 2 BELOW)

FB2048b.51311

TOP VIEW



SECTION A-A



HILTI, Inc.
Tulsa, Oklahoma USA (800) 879-8000

Sheet	1 of 2
Scale	11/64" = 1"
Date	May 13, 2011

Drawing No.

**FB
2048b**

Saving Lives through Innovation and Education

PLASTIC PIPE THROUGH CONCRETE FLOOR ASSEMBLY

F-RATING = 3-HR.

T-RATING = 0-HR. OR 1/2-HR.

L-RATING AT AMBIENT = LESS THAN 1 CFM/SQ. FT. (SEE NOTE NO. 2 BELOW)

L-RATING AT 400°F = LESS THAN 1 CFM/SQ. FT. (SEE NOTE NO. 2 BELOW)

W-RATING = CASS I (SEE NOTE NO. 2 BELOW)

FB2048b.51311

1. CONCRETE FLOOR ASSEMBLY (3-HR. FIRE-RATING) :
 - A. LIGHTWEIGHT OR NORMAL WEIGHT CONCRETE FLOOR (MINIMUM 6" TO 12" THICK).
 - B. STEEL FLOOR UNIT/FLOOR ASSEMBLY - LIGHTWEIGHT OR NORMAL WEIGHT CONCRETE FLOOR (MINIMUM 6 TO 12" THICK) OVER METAL DECKING (UL CLASSIFIED D700, D800, OR D900 SERIES).
2. [OPTIONAL - NOT SHOWN] ANY OF THE FOLLOWING SLEEVES MAY BE USED :
 - A. NOMINAL 4", 5", OR 6" DIAMETER STEEL PIPE SLEEVE (SCHEDULE 10 OR HEAVIER) CAST OR GROUTED INTO FLOOR ASSEMBLY, FLUSH WITH FLOOR SURFACES.
 - B. NOMINAL 4", 5", 6", OR 9" DIAMETER GALVANIZED STEEL SLEEVE (MIN. 26 GA.) WITH SQUARE FLANGE SPOT WELDED TO BOTTOM OR MID-HEIGHT OF SLEEVE AND SIZED MINIMUM 2" LARGER THAN SLEEVE DIAMETER. SLEEVE IS TO BE CAST IN PLACE, AND MAY EXTEND A MAXIMUM 4" BELOW BOTTOM SURFACE OF FLOOR AND SIT FLUSH WITH TOP SURFACE OF FLOOR.
3. PENETRATING ITEM TO BE ONE OF THE FOLLOWING :
 - A. MAXIMUM 6" NOMINAL DIAMETER PVC PLASTIC PIPE (CELLULAR OR SOLID CORE).
 - B. MAXIMUM 6" NOMINAL DIAMETER ABS PLASTIC PIPE (CELLULAR OR SOLID CORE).
 - C. MAXIMUM 6" NOMINAL DIAMETER CPVC PLASTIC PIPE.
 - D. MAXIMUM 6" NOMINAL DIAMETER FRPP PLASTIC PIPE.
4. HILTI CFS-DID FIRESTOP DROP-IN DEVICE INSERTED INTO OPENING (SEE TABLE BELOW) AND SECURED TO TOP OF FLOOR WITH THREE HILTI 1/4" (6mm) DIAMETER BY 1-1/4" (32mm) LONG KWIK-CON II+ CONCRETE SCREW ANCHORS, HILTI 1/4" (6mm) DIAMETER BY 1-3/4" (45mm) LONG KWIK BOLT 3 STEEL EXPANSION ANCHORS, OR HILTI 1/4" (6mm) BY 3/4" (19mm) LONG METAL HIT ANCHORS (INSTALLED IN A TRIANGULAR FASHION THROUGH HOLES PROVIDED). IN ADDITION, FOR NOMINAL 2", 3", AND 4" DEVICES, FOUR 11/16" (18mm) LONG HILTI X-GH P18 MX STEEL FASTENERS MAY BE INSTALLED THROUGH THE STEEL FLANGE, TWO ON EACH SIDE.

CORE HOLE OR SLEEVE DIAMETER	PRODUCT DESCRIPTION	NOMINAL PIPE DIAMETER
4"	CFS-DID 2" C	2" (OR SMALLER)+
5"	CFS-DID 3" C	3"
6"	CFS-DID 4" C	4"
9"	CFS-DID 6" C	6"

+ FOR PIPE SMALLER THAN NOMINAL 2" DIAMETER, AN ADAPTER AND HILTI IPS OR CPS TOP SEAL PLUG MUST BE USED IN CONJUNCTION WITH THE CFS-DID 2" C DEVICE.

NOTES : 1. CLOSED OR VENTED PIPING SYSTEM (PVC, ABS, FRPP = SCH 40; CPVC = SDR 13.5).
 2. [OPTIONAL] TO ACHIEVE W-RATING AND/OR L-RATING, WATER BARRIER MODULES MAY BE THREADED ON TOP OF CFS-DID DEVICES FOR NOMINAL 2", 3", 4", AND 6" PIPES (LISTED ABOVE).



HILTI, Inc.
 Tulsa, Oklahoma USA (800) 879-8000

Sheet	2 of 2
Scale	-
Date	May 13, 2011

Drawing No.

**FB
2048b**