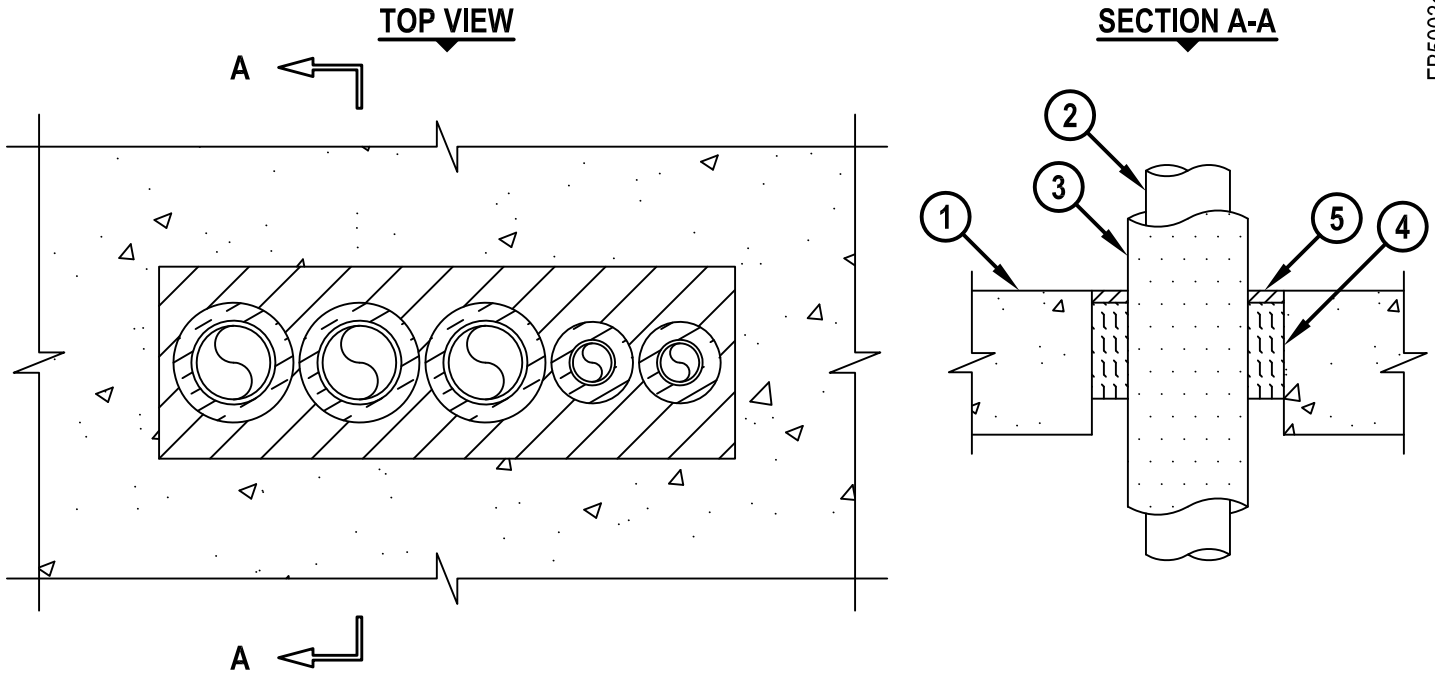


MULTIPLE PIPES THROUGH CONCRETE FLOOR ASSEMBLY

F-RATING = 2-HR.

T-RATING = 0-HR. OR 1-HR.

FB5003c.010715



1. NORMAL WEIGHT CONCRETE FLOOR ASSEMBLY (MINIMUM 6" THICK) (2-HR. FIRE-RATING).
2. PENETRANTS TO CONSIST OF ANY OF THE FOLLOWING (MAX. QTY. = 5) :
 - A. MAXIMUM 3" NOMINAL DIAMETER STEEL PIPE (SCH 10 OR HEAVIER).
 - B. MAXIMUM 3" NOMINAL DIAMETER CAST OR DUCTILE IRON PIPE.
 - C. MAXIMUM 3" NOMINAL DIAMETER COPPER PIPE OR TUBING.
3. PIPES TO BE INSULATED WITH ONE OF THE FOLLOWING :
 - A. MAXIMUM 1" THICK GLASS-FIBER PIPE INSULATION.
 - B. MAXIMUM 1" THICK AB/PVC PIPE INSULATION.
4. MINIMUM 4" THICKNESS MINERAL WOOL (MIN. 4 PCF DENSITY) TIGHTLY PACKED.
5. MINIMUM 1/2" DEPTH HILTI FS-ONE MAX OR FS-ONE INTUMESCENT FIRESTOP SEALANT, HILTI CP 604 SELF-LEVELING FIRESTOP SEALANT, HILTI CFS-S SIL GG FIRESTOP SILICONE SEALANT, OR HILTI CFS-S SIL SL FIRESTOP SILICONE SEALANT.

NOTES : 1. MAXIMUM AREA OF OPENING IS 192 SQ. IN. WITH A MAXIMUM DIMENSION OF 24".
 2. ANNULAR SPACE = MINIMUM 1/4", MAXIMUM 6".
 3. WHEN INSULATION THICKNESS IS LESS THAN 1" THICK, THE T-RATING IS 0-HR.



Hilti Firestop Systems

HILTI, Inc.
 Tulsa, Oklahoma USA (800) 879-8000

Sheet	1 of 1
Scale	1/8" = 1"
Date	Jan. 07, 2015

Drawing No.

**FB
5003c**

Saving Lives through Innovation and Education