

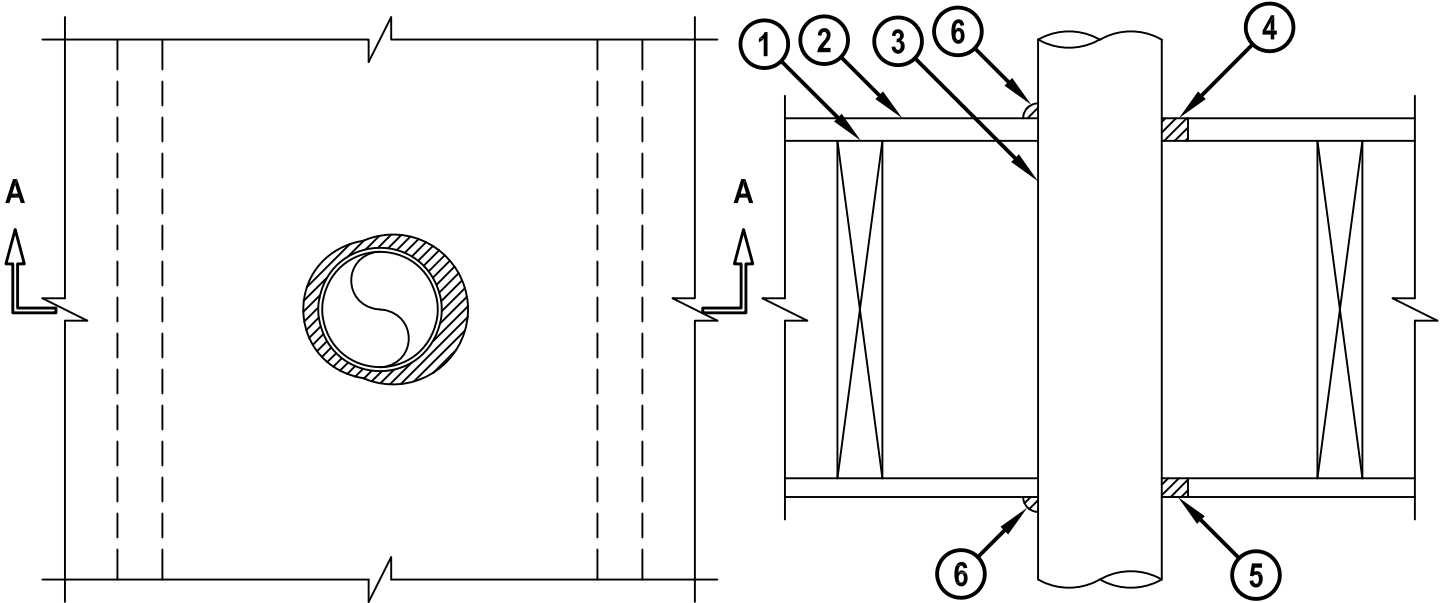
**METAL PIPE THROUGH WOOD FLOOR/CEILING ASSEMBLY**

F-RATING = 1-HR.  
T-RATING = 1/4-HR.

FC1106e.041618

**TOP VIEW**

**SECTION A-A**



1. WOOD FLOOR/CEILING ASSEMBLY (UL/cUL CLASSIFIED L500 SERIES) (1-HR. FIRE-RATING).
2. LUMBER OR PLYWOOD SUBFLOOR WITH FINISH FLOOR OF LUMBER, PLYWOOD, OR FLOOR TOPPING MIXTURE.
3. PENETRATING ITEM TO BE ONE OF THE FOLLOWING :
  - A. MAXIMUM 4" NOMINAL DIAMETER STEEL PIPE (SCHEDULE 10 OR HEAVIER).
  - B. MAXIMUM 4" NOMINAL DIAMETER CAST IRON OR DUCTILE IRON PIPE.
  - C. MAXIMUM 4" NOMINAL DIAMETER COPPER PIPE OR COPPER TUBING.
  - D. MAXIMUM 4" NOMINAL DIAMETER STEEL CONDUIT OR EMT.
4. MINIMUM 3/4" DEPTH HILTI CP 606 FLEXIBLE FIRESTOP SEALANT OR HILTI FS-ONE MAX INTUMESCENT FIRESTOP SEALANT.
5. MINIMUM 5/8" DEPTH HILTI CP 606 FLEXIBLE FIRESTOP SEALANT OR HILTI FS-ONE MAX INTUMESCENT FIRESTOP SEALANT.
6. MINIMUM 1/2" BEAD HILTI CP 606 FLEXIBLE FIRESTOP SEALANT OR HILTI FS-ONE MAX INTUMESCENT FIRESTOP SEALANT AT POINT OF CONTACT.

**NOTES :** 1. MAXIMUM DIAMETER OF OPENING = 5".  
 2. ANNULAR SPACE = MINIMUM 0", MAXIMUM 7/8".  
 3. CHASE WALL [NOT SHOWN, OPTIONAL] - PENETRATING ITEM MAY BE ROUTED THROUGH A FIRE-RATED OR NON-RATED SINGLE, DOUBLE, OR STAGGERED WOOD STUD/GYPSUM CHASE WALL ASSEMBLY CONSISTING OF NOMINAL 2" x 6" OR PARALLEL 2" x 4" LUMBER PLATES AND STUDS.



HILTI, Inc.  
Plano, Texas USA (800) 879-8000

Sheet	1 of 1
Scale	5/32" = 1"
Date	Apr. 16, 2018

Drawing No.  
**FC  
1106e**